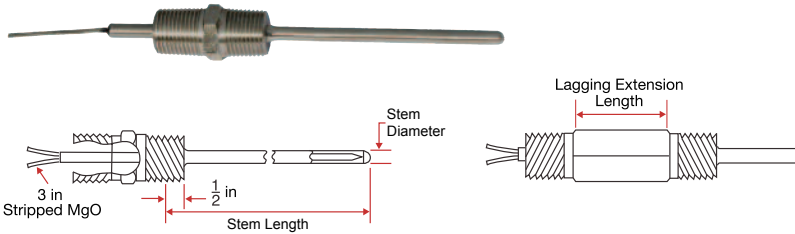


WT Series Thermocouple Probes

NEW! WT Series Industrial Thermocouple Probes

WT1 Series 304SS Standard Welded Probe



Constructed with 304SS fittings

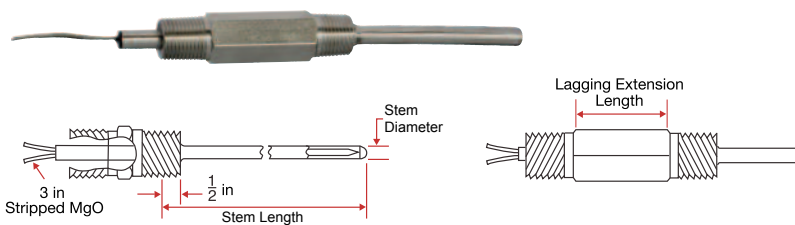
1/2" NPT x 1/2" NPT
1/2" NPT x 3/4" NPT

Available in:

Type K, J or T calibrations
Standard nipple (shown)
Lagging extension

**Magnesium Oxide (MgO) Cable and
Special Limits of Error conductors**

WT2 Series 316SS Standard Welded Probe



Constructed with 316SS fittings

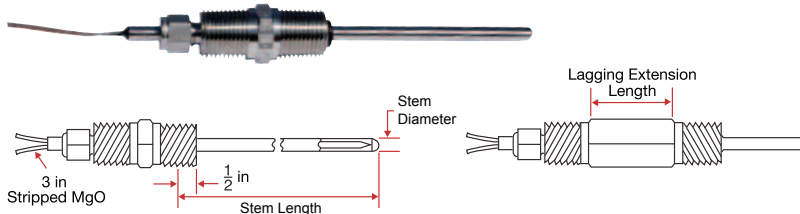
1/2" NPT x 1/2" NPT
1/2" NPT x 3/4" NPT

Available in:

Type K, J or T calibrations
Standard nipple
Lagging extension (shown)

**Magnesium Oxide (MgO) Cable and
Special Limits of Error conductors**

WT3 Series 304SS Compression Fitting Probe



Constructed with 304SS compression fittings

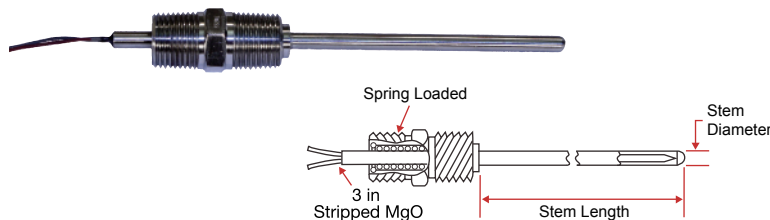
1/2" NPT x 1/2" NPT

Available in:

Type K, J or T calibrations
Standard nipple (shown)
Lagging extensions are also available

**Magnesium Oxide (MgO) Cable and
Special Limits of Error conductors**

WT4 Series 316SS Spring Loaded Probe



Constructed with 316SS spring-loaded fittings

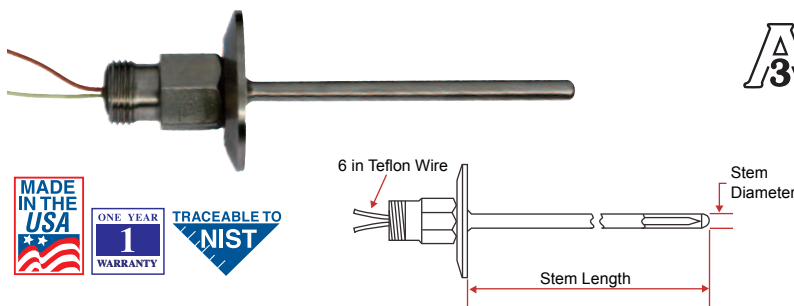
1/2" NPT x 1/2" NPT

Available in:

Type K, J or T calibrations
Standard nipple (shown)

**Magnesium Oxide (MgO) Cable and
Special Limits of Error conductors**

WT5 Series 316SS Sanitary Probe



Constructed with 316SS Sanitary fitting

3A Standard 74-03 certification for all process contact surfaces

Available in:

Type K, J or T calibrations
Maximum operating temperature is 400°F (204°C)

FEP insulated Special Limits of Error wire



Calibration Services Available

(800) 421-2853 • FAX (828) 658-0728 • www.palmerwahl.com

PW1260
04/11 Rev B

Connection Heads General Purpose

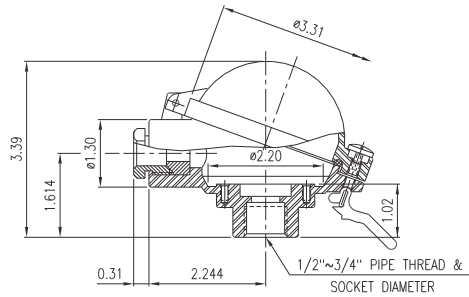
NEW! General Purpose Connection Heads

Providing resistance to dust and moisture for temperature sensors is extremely important to your process. Designed for heavy industrial and process applications, **Wahl's New Industrial Connection Heads** come in a variety of choices

to meet your specific needs. All our Connection Heads are compatible with our new Terminal Blocks or Transmitters, shown on page, 8. For additional connection heads contact your Wahl Distributor for information.

General Purpose: Aluminum - Flip Top Heads				
Model	Type	Material	Process	Conduit
12401-03	General Purpose	Aluminum	1/2" NPT	1/2" NPT
12401-19	General Purpose	Aluminum	1/2" NPT	3/4" NPT

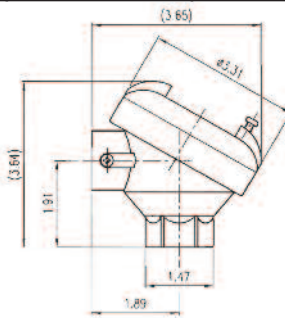
- Suitable for DIN size Transmitters
- Baked enamel silver paint and corrosive resistant hardware
- Rated IP68



12401-03 Aluminum,
1/2" Process x 1/2" Conduit

General Purpose: Aluminum - Screw Top Heads				
Model	Type	Material	Process	Conduit
12401-02	General Purpose	Aluminum	1/2" NPT	1/2" NPT
12401-10	General Purpose	Aluminum	1/2" NPT	3/4" NPT

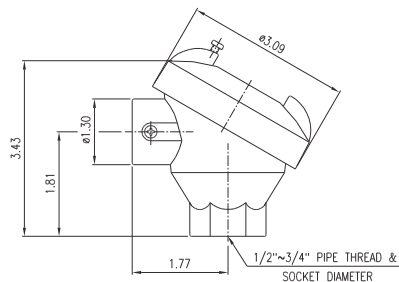
- Suitable DIN Transmitters & most Terminal Blocks
- Rated NEMA 4X & IP68
- Epoxy painted for NEMA protection, shiny, non-painted finish available



12401-10 Aluminum,
1/2" Process x 3/4" Conduit

General Purpose: Stainless Steel - Screw Top Heads				
Model	Type	Material	Process	Conduit
12401-09	General Purpose	316SS	1/2" NPT	3/4" NPT

- Suitable for DIN size Transmitters & Terminal most blocks
- Rated NEMA 4X



12401-09 316SS,
1/2" Process x 3/4" Conduit

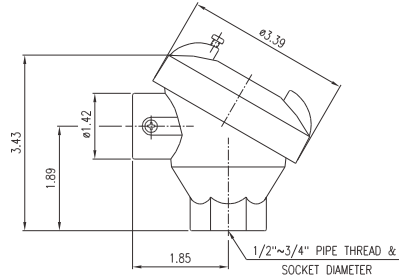


Connection Heads General Purpose & Explosion Proof

NEW! General Purpose Connection Heads

General Purpose: Cast Iron - Screw Top Heads				
Model	Type	Material	Process	Conduit
12401-08	General Purpose	Cast Iron	1/2" NPT	1/2" NPT
12401-11	General Purpose	Cast Iron	1/2" NPT	3/4" NPT

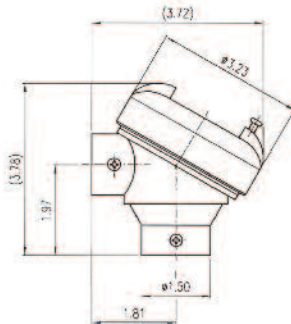
- Suitable for DIN size Terminal Blocks & Transmitters
- Rated NEMA 4X
- Painted in High Temperature Black Paint



12401-08 Cast Iron,
1/2" Process x 1/2" Conduit

General Purpose: Polypropylene - Screw Top Heads				
Model	Type	Material	Process	Conduit
12401-06	General Purpose	Polypropylene	1/2" NPT	3/4" NPT

- Suitable for DIN size Transmitters & most Terminal Blocks
- FDA Approved Polypropylene

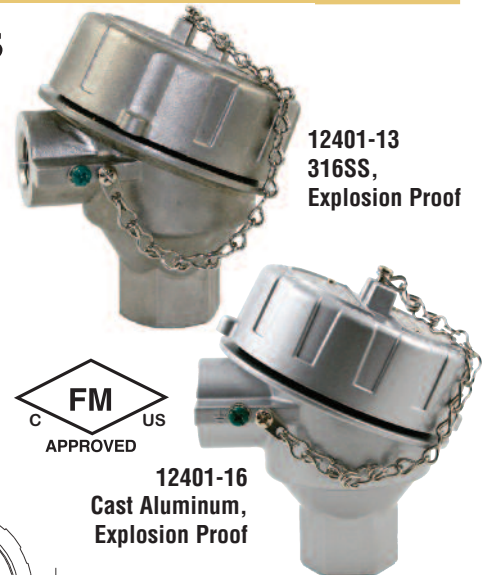
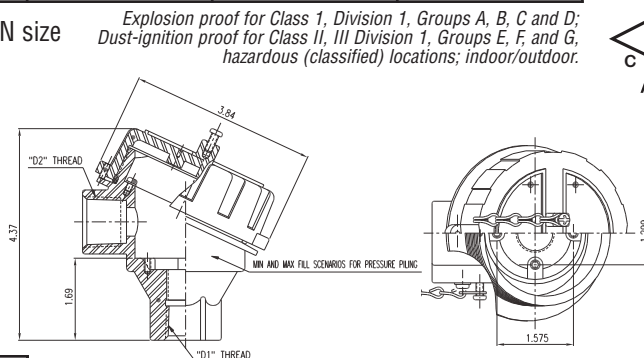


12401-06 Polypropylene,
3/4" Process x 3/4" Connection

Explosion Proof Connection Heads

Explosion Proof: 316SS & Cast Aluminum - Screw Top Heads				
Model	Type	Material	Process	Conduit
12401-13	Explosion Proof	316SS	1/2" NPT	1/2" NPT
12401-14	Explosion Proof	316SS	1/2" NPT	3/4" NPT
12401-16	Explosion Proof	Cast Aluminum	1/2" NPT	1/2" NPT
12401-17	Explosion Proof	Cast Aluminum	1/2" NPT	3/4" NPT

- Suitable for 40mm and DIN size Terminal Blocks & Transmitters
- Supplied with Stainless Steel chain and screws
- 316SS: NEMA 4X
- Cast Aluminum: NEMA 4



12401-13
316SS,
Explosion Proof

12401-16
Cast Aluminum,
Explosion Proof



Calibration Services Available

(800) 421-2853 • FAX (828) 658-0728 • www.palmerwahl.com

PW1260
04/11 Rev B

PALMER Wahl
INSTRUMENTATION GROUP
Continued Innovation Since 1836
ISO 9001:2008 CERTIFIED

Temperature Transmitters & Terminal Blocks

NEW! Temperature Transmitters

These Transmitters have been discontinued. Please see catalog supplement for current product information.

Universal Temperature Head Transmitters for RTD and Thermocouples, and for mounting in a connection head DIN Form B.

- Adjustable via PC, configuration kit shown below.
- High accuracy and wide ambient temperature range
- Fault signal on sensor break or short circuit
- NAMUR NE 43 compliant



Model	12415-03	12415-07	12415-05	12415-06
Temperature Transmitter	PC-programmable		Protocol - HART	
Approval	Non-hazardous area	FM*	Non-hazardous area	FM*
Application	RTD, TC, Ohm, mV			
Wire	2-wire, 4-20mA, Galvanic Isolation			
Fault Reaction	NAMUR NE 43			
Mounting	Head Form B, DIN43729			
Configuration Sensor Type	Pt100, -200 to 850°C, min span 10K, IEC751 (a=0.00385)		Factory setup Pt100, 3-wire 0 to 100°C	
Configuration	Factory setup Pt100, 3-wire 0 to 100°C			
Options	Standard = DIN mounting set		US-M4 mounting screws	

To specify setup parameters when ordering a transmitter please contact Customer Service.

* FM Approval for Intrinsically Safe Class 1, Division 1 & 2, Groups A, B, C and D.

12415-04 Configuration Kit for Universal Temperature Head Transmitters

- Used with PC Programmable devices
- Set-up program + interface cable for PC with USB port
- AA Adapter 4 pin plug + ReadWin 2000
- Factory configuration offered



Precision instruments from Wahl offer you the quality and reliability you rely on for your process!

For options not shown contact your Wahl Distributor

NEW! Terminal Blocks

Ceramic Terminal Heads

for RTD and Thermocouples Connection Heads.

Brass and nickel plated brass terminals can be used with any of our connection heads.



12405-05
2 Position Ceramic Terminal Block



12405-01
4 Position Ceramic Terminal Block



12405-02
6 Position Ceramic Terminal Block

Calibration Services Available



Continued Innovation Since 1836
ISO 9001:2008 CERTIFIED

(800) 421-2853 • FAX (828) 658-0728 • www.palmerwahl.com

Digital version of catalog may differ from printed version.

PW1260
04/11 Rev B

NEW! In-Head Temperature Transmitters

Universal Programmable 2-wire Transmitters

12415-08 • 12415-09 Universal Transmitters are universal, isolated 2-wire in-head transmitters for temperature and other measurement applications. They combine functionality and simple configuration. Useful error correction functions improve the accuracy.

- Fully universal, linearized and high-isolation
- Accepts RTD, T/C, mV and Ω
- Sensor error and system (sensor/transmitter) error correction for highest total accuracy
- Full access to all features while in operation
- NAMUR compliant - for output limits and fail currents
- User defined sensor break function
- Simplified loop check-up with calibration output
- Low sensor isolation detection
- IPRO or ConSoft Software, easy-to-use Windows configuration software - included with Configuration Kit, or free download from website. Call for details.



12415-08



12415-09*



Universal HART-Compatible 2-wire Transmitters

12415-10 • 12415-11 Universal Transmitters are universal 2-wire in-head transmitters and are fully HART-compatible, with communication via the HART protocol.

- Utilizes HART Protocol for remote configuration and monitoring
- Communicates with HART Communicator or PC via modem
- Fully universal, linearized and isolated
- Accepts RTD, T/C, mV and Ω input
- Sensor error correction
- Full access to all features while in operation
- User defined sensor break function
- Easy wiring, large center hole
- 50 point linearization – any sensor can be matched
- Low sensor isolation detection
- MEPRO, easy-to-use Windows configuration software - requires Hart modem or configurator



12415-10



12415-11**



Basic Programmable 2-wire Transmitter

12415-12 Basic Transmitter is a basic, programmable non-isolated, easy-to-use 2-wire in-head transmitter. The Low Profile housing has a height of only 18.5 mm / 0.72 inch. Configuration is made in seconds with the user friendly Windows software. No external power supply required for configuration. The transmitter is programmable for RTD's in 3- and 4-wire connection according to different standards as well as for 11 T/C types. Useful error correction functions improve the accuracy.

- Robust terminals with test connections
- Only 18.5 mm / 0.72 inch high
- Accepts RTD in 3- and 4-wire connection and 11 T/C types
- Sensor error and system (sensor/transmitter) error correction for highest total accuracy
- Temperature linear output
- Configuration without external power
- Easy-to-use Windows configuration software
- USB communication
- NAMUR compliant - for output limits and fail currents
- Rugged design tested for 10 g vibrations
- MiniPac or ConSoft Software, easy-to-use Windows configuration software - included with Configuration Kit or free download from website. Call for details.



12415-12



For additional specifications, or to specify setup parameters when ordering a transmitter please contact Customer Service.

* FM Approval for Intrinsically Safe Class I; Division 1; Groups A, B, C and D, T4 Ta = 80°C
 ** FM Approval for Intrinsically Safe Class I,II,III; Division 1; Groups A, B, C and D, T4 Ta = 80°C

Register your product at www.palmerwahl.com/register

(800) 421-2853 • FAX (828) 658-0728 • www.palmerwahl.com

NEW! In-Head Temperature Transmitters

Programming Kit for Temperature Transmitters (excluding 12415-10 & 12415-11)

12415-13 Programming Kit is a complete kit for PC configuration of the transmitters above. The kit contains the INOR USB Interface, transmitter cables and ConSoft Software. User Instructions and Installation Guide included (on USB memory stick). Communication with the connected transmitter is established automatically, without any problems to match the PC communication port to the software.

- USB communication
- Automatic matching of communication ports
- Automatic transmitter identification for quick start up
- Diagnostic LED's on the USB Interface show the communication status
- Simple installation of configuration software and drivers for the USB Interface
- Free download from website. Call for details.



Specifications					
Model	12415-08	12415-09	12415-10	12415-11	12415-12
Temperature Transmitter	PC-Programmable		Protocol - HART		PC-Programmable
Approval	Non-hazardous area	FM, Class I; Div 1; Intrinsically Safe Group A, B, C, and D, T4 Ta = 80°C	Non-hazardous area	FM, Class I,II,III; Div 1; Intrinsically Safe Group A, B, C, and D, T4 Ta = 80°C	Non-hazardous area Non-grounded probes
Wire	2-wire, 1500V AC, 1 minute, Galvanic Isolation		2-wire, 1500V AC, 1 minute Galvanic Isolation		2-wire, Non-Isolated
Fault Reaction	NAMUR NE 43		User programmable		NAMUR NE 43
Mounting	Head Form B, DIN43729		Head Form B, DIN43729		Head Form B, DIN43729
Typical Accuracy	Typical ± 0.1% of input span		Typical ± 0.1% of input span		Typical ± 0.1% of input span
Options	Standard = DIN mounting set		Standard = DIN mounting set		Standard = DIN mounting set
Configuration Sensor Type					
RTD's	8 RTD's: Pt100, Pt1000, Ptx 10, Ni100, Ni1000, Ni120, Cu10 and D100		6 RTD's: Pt100, Pt1000, Ptx 10, Ni100, Ni1000, and D100		9 RTD's: Pt100 (3), Pt1000, Ni100, Ni1000, Ptx, Ni120, & Cu10
Resistance Input	0 to 2000 Ω		0 to 2000 Ω		Maximum Resistance: 25 Ω/wire
Thermocouples	11 Thermocouples: B, C, E, J, K, L, N, R, S, T, U		11 Thermocouples: B, C, E, J, K, L, N, R, S, T, U		11 Thermocouples: B, C, E, J, K, L, N, R, S, T, U
Voltage Input	-10 to +500 MV		-10 to +500 MV		
Linearization	9 pt Custom Linearization		50 pt Custom Linearization		
Load Characteristics	Max Load @ 24 V DC 795 Ω -08 727 Ω -09		Max Load @ 24 V DC 608 Ω -10 521 Ω -11		Max Load @ 24 V DC 725 Ω

Specifications are subject to change without notice

ISO 9001:2008
CERTIFIED QUALITY
MANAGEMENT SYSTEM

For additional specifications, or to specify setup parameters when ordering a transmitter please contact Customer Service.

Register your product at www.palmerwahl.com/register

PALMER Wahl
INSTRUMENTATION GROUP

Continued Innovation Since 1836
ISO 9001:2008 CERTIFIED

(800) 421-2853 • FAX (828) 658-0728 • www.palmerwahl.com

PW1261
08/14