



FIG. C800

GATE VALVE

API 602, MSS SP 118 & ASME B16.34

Connections according to:

ANSI B 1.20.1 (NPT)

ANSI B 16.11 (SW)

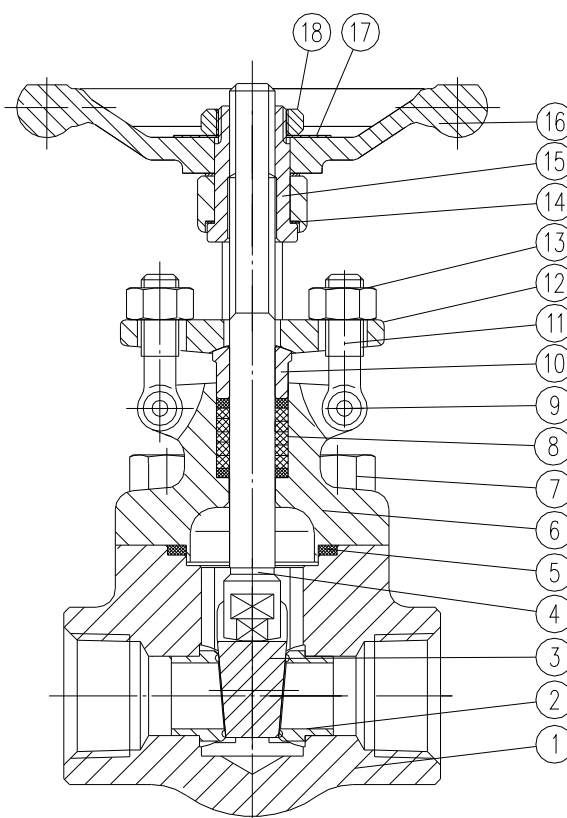
CE

Forged Gate Valves

Fig. C800 Class 800

Parts and Materials

Parts and materials



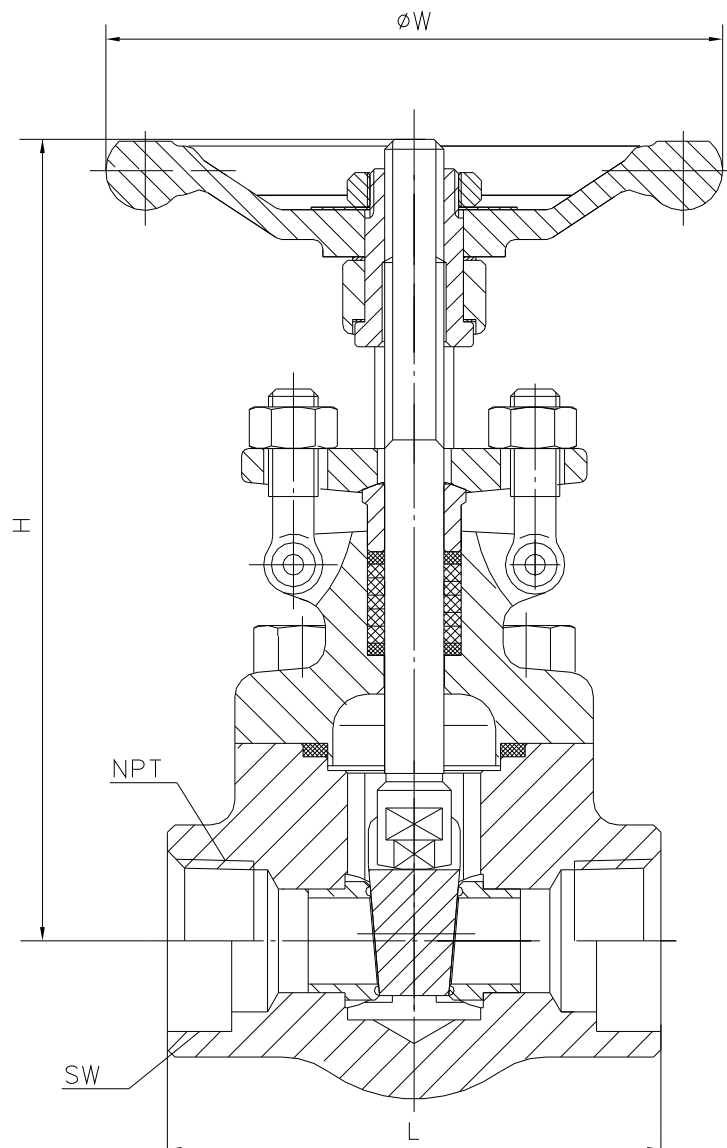
Item	Description	Material	
		Carbon Steel	Stainless Steel
1	Body	A 105	A 182 F316L
2	Seat	A 182 F6A + STL	A 182 F316L + STL
3	Gate	A 182 F6A + STL	A 182 F316L
4	Stem	AISI 410	A 182 F316L
5	Gasket	AISI 304 + Graphite	AISI 316 + Graphite
6	Bonnet	A 105	A 182 F316L
7	Bolt	A 193 B7	A 193 B8M
8	Packing	Flexible Graphite + Carbon Fibre	
9	Pin	AISI 420	AISI 304
10	Packing Gland	AISI 420	AISI 316L
11	Eye Bolt	A 193 B8	A 193 B8M
12	Gland Flange	A 105	A 182 F316L
13	Hex Nut	A 194 8	A 194 8M
14	Washer	AISI 410	
15	Yoke Nut	AISI 410	
16	Hand wheel	A 197	
17	Nameplate	Aluminium	
18	Hex Nut	1035 Zinc Plated	



Forged Gate Valves

Fig. C800 Class 800

Dimensions



Dimensions

SIZE	L	NPT	ϕW	H	Weight
1/2" (DN 15)	79	1/2"	100	151	2,2
3/4" (DN 20)	92	3/4"	100	158	2,4
1" (DN 25)	110	1"	125	185	4,2
1 1/4" (DN 32)	120	1 1/4"	160	239	6
1 1/2" (DN 40)	120	1 1/2"	160	243	7
2" (DN 50)	140	2"	180	279	11

(*) Dimensions in mm and weight in kg.

Note:

Dimensions not subject to International Standards can vary in $\pm 10\%$. ICP reserves the right to change those dimensions without notice, due to they do not affect integrity and performance of the valves.

ICP VALVES S.A.
E-Mail: sales@icp-valves.com
Internet: www.icp-valves.com

Authorized Distributor



Forged Gate Valves Fig. C800 Class 800

General Characteristics, Torque, KV, P&T Rating

GENERAL CHARACTERISTICS		Forged Gate Valve	
DESIGN STANDARDS			
Valves design	API 602	ASME B 16.34	
Connections	ANSI B 1.20.1	ANSI B 16.11	
Face to face dimensions	Manufacturer's standard		
TESTS AND CERTIFICATES			
Quality Assurance	API 598		
Pressure testing	ISO 9001		
Marking	EN 12266-1		
	EN 19		

Kv Values in m3/h

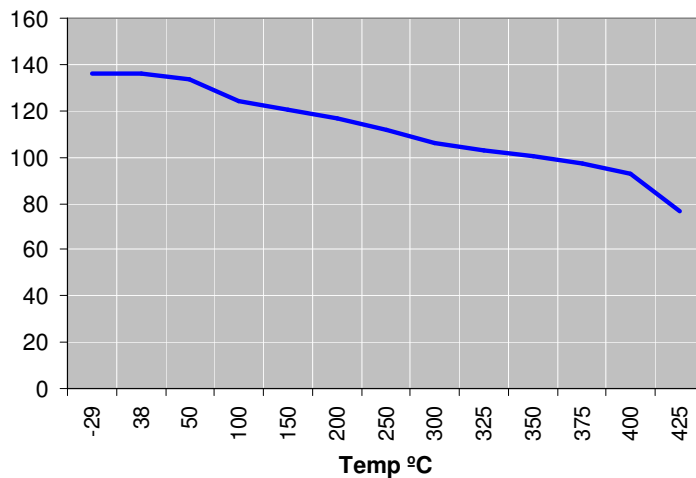
VALVE SIZE	Kv	VALVE SIZE	Kv
1/2" (DN 15)	5,6	1 1/4" (DN 32)	39
3/4" (DN 20)	9,6	1 1/2" (DN 40)	58
1" (DN 25)	21,6	2" (DN 50)	98

Pressure-Temperature

ASTM A105

MATERIAL

P Bar



- A 105
- A 182 F316L

P Bar

