

678201 RATE VALVE ISO 228 F WITH GRADUATE HANDWHEEL

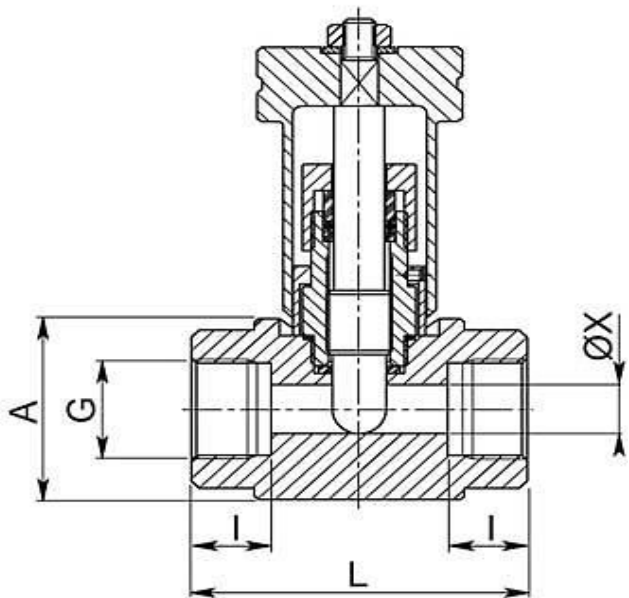
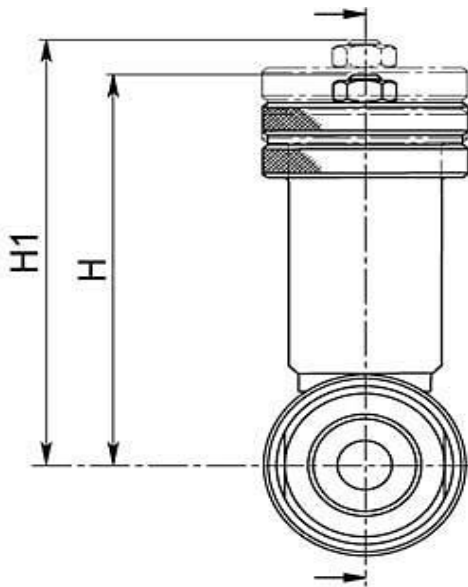


Rate valve

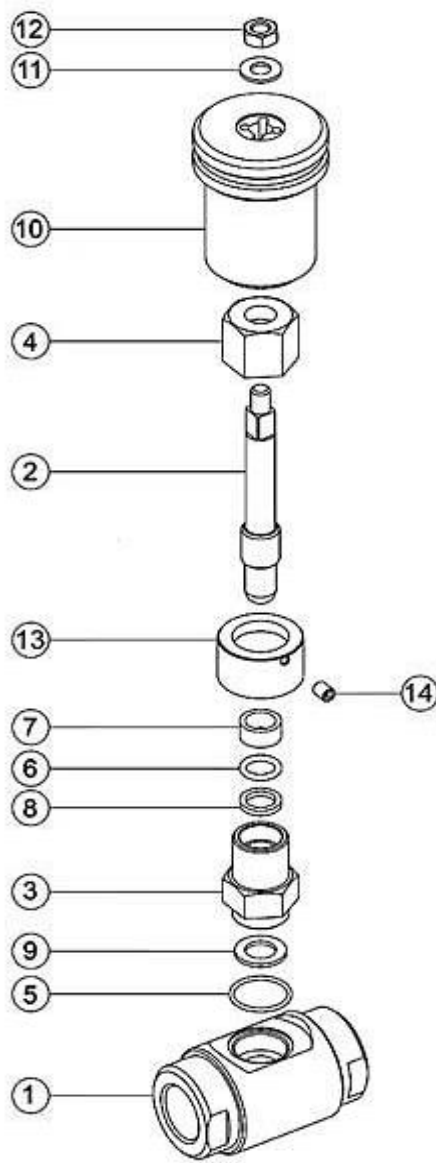
Drive: GRADUATE Handwheel
 Connection: ISO 228 female/female thread
 Material: Aisi 316L
 Measure: from 1/2" to 1"1/2
 Operating temperature: -20°C+160°C
 Outer finish: Polished

On request:

Antistatic device ATEX II 2 G-D T4 zone 1-21
 M.O.C.A. CE 1935/2004



G	L	I	A	H	H1	Ø X	PN	kg
1/2"	60	14	Ø30	68	74	8,5	100	--
3/4"	80	19	Ø48	105	116	13	100	--
1"	80	19	Ø48	105	116	13	100	--
1" 1/4	90	19	Ø 60	109	124	18	100	2,21
1" 1/2	90	19	Ø 60	109	124	18	100	2,09



POS.	MATERIAL
1	AISI 316L
2	AISI 316L
3	AISI 316L
4	AISI 316L
5	FKM
6	FKM
7	PTFE Caricato Vetro/With glass
8	PTFE
9	Duroplast
10	AISI 304L
11	AISI 304L
12	AISI 304L
13	AISI 316L
14	AISI 304L

