

678001 RATE VALVE ISO 228 F



Rate Valve

Drive: Handwheel

Connection: ISO 228 female/female thread

Material: Aisi 316L (1.4404)

Measure: from 1/2" to 1"1/2

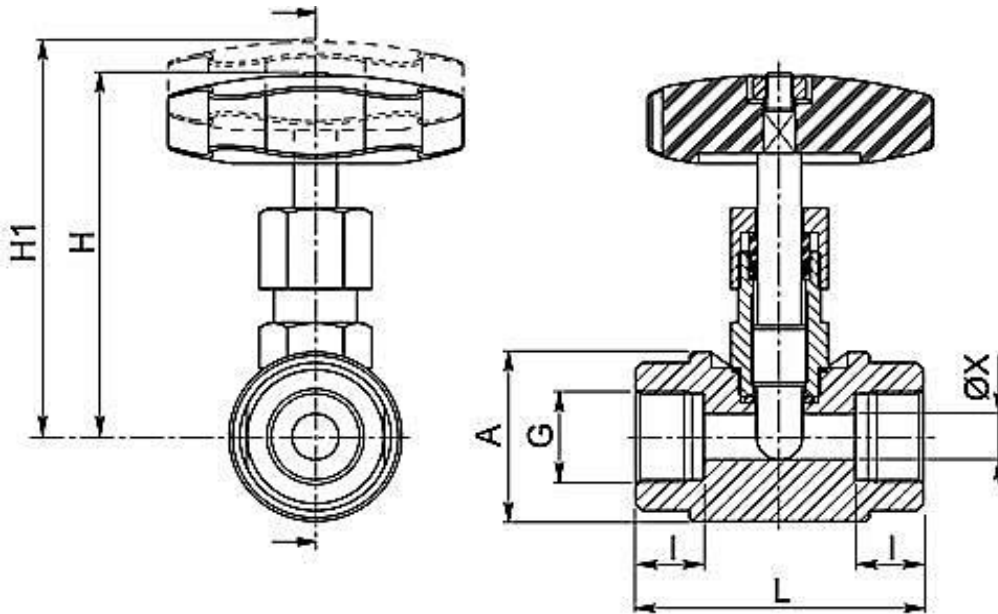
Operating temperature: -20°C+160°C

Outer finish: Polished

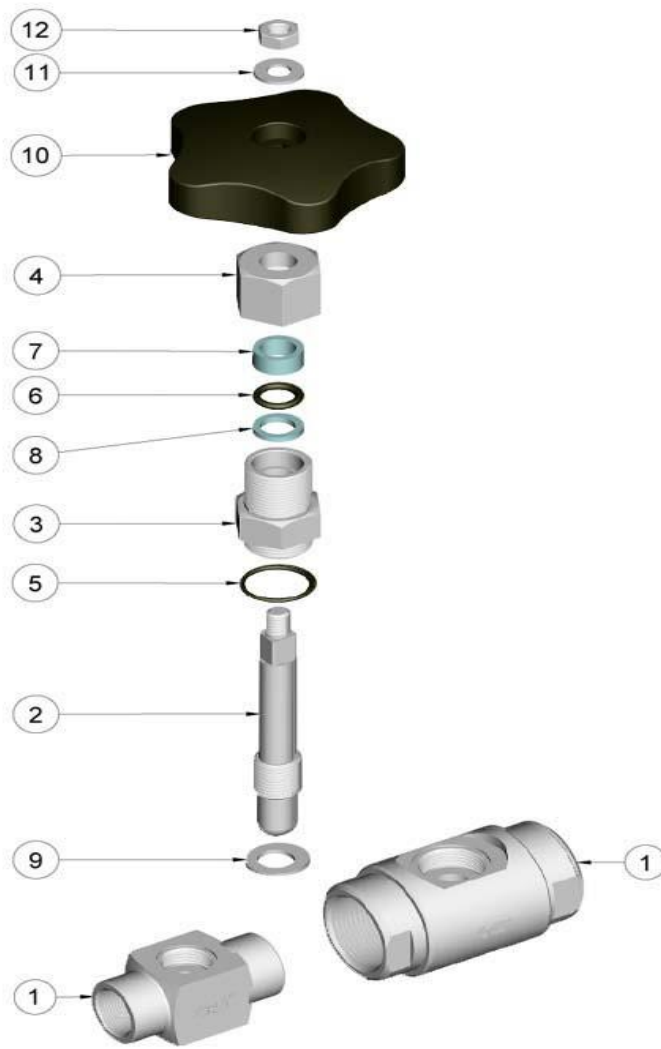
On request:

Antistatic device ATEX II 2 G-D T4 zone 1-21

M.O.C.A. CE 1935/2004



G	L	I	A	H	H 1	Ø X	PN	Kg
1/2"	60	14	Ø30	68	74	8,5	100	0,40
3/4"	80	19	Ø 48	105	116	13	100	1,16
1"	80	19	Ø 48	105	116	13	100	1,07
1" 1/4	90	19	Ø 60	109	123	18,2	100	1,75
1" 1/2	90	19	Ø 60	109	123	18,2	100	1,63



POS.	MATERIAL
1	AISI 316L
2	AISI 316L
3	AISI 316L
4	AISI 316L
5	FKM
6	FKM
7	PTFE Caricato Vetro/With glass
8	PTFE
9	Duroplast
10	AISI 304L
11	AISI 304L
12	AISI304L

