

658230 PIN VALVE CLAMP WITH GRADUATE HANDWHEEL



PIN valve

Drive: GRADUATE Handwheel

Connection: CLAMP normative DIN 32676 TAB.4 REIHE C e TAB.2 REIHE A

Material: Aisi 316L

Measure: from 1/2" to 1"

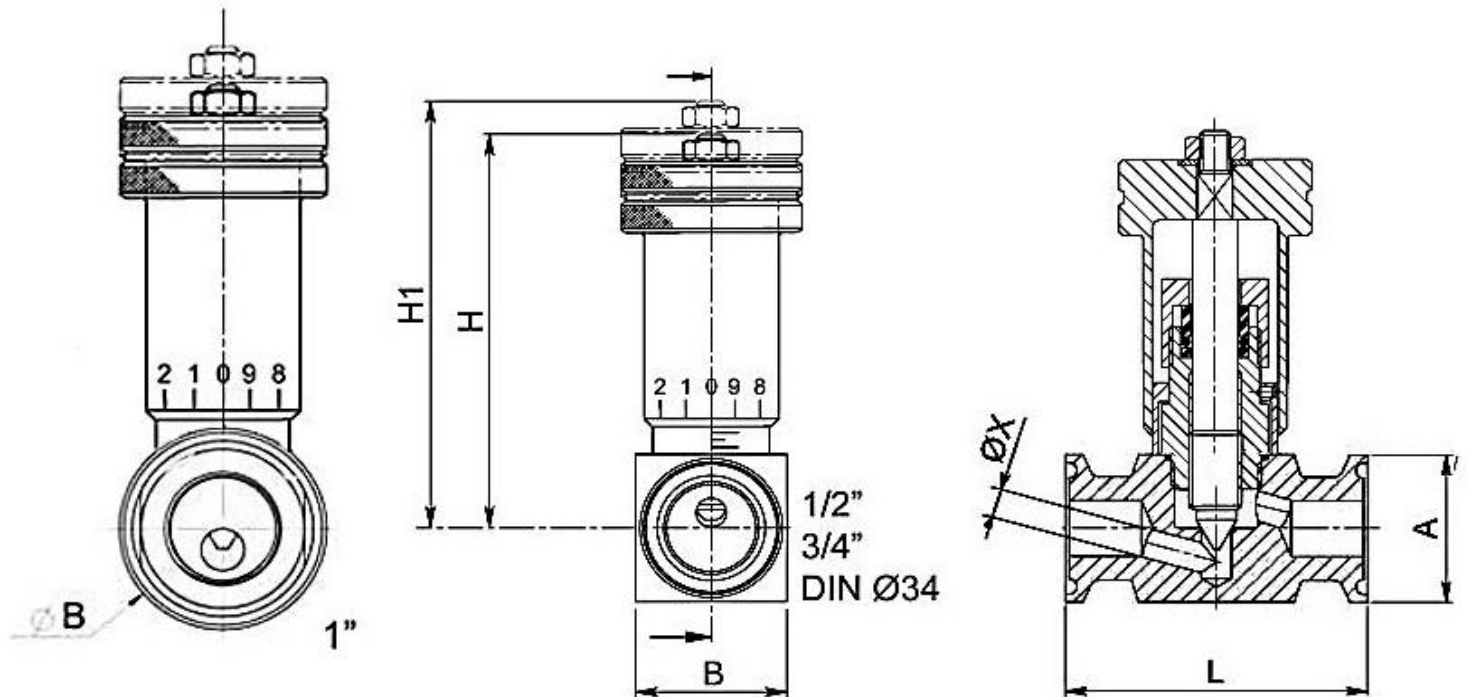
Operating temperature: -20°C+160°C

Outer finish: Polished

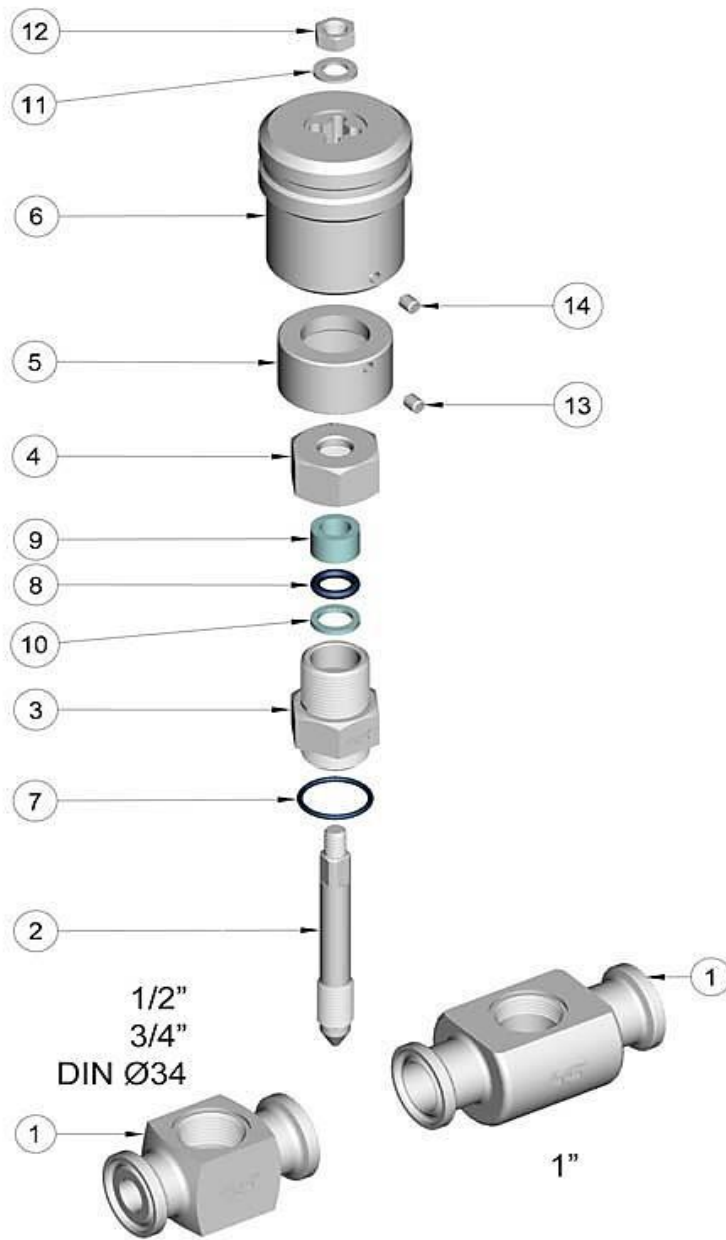
On request:

Antistatic device ATEX II 2 G-D T4 zone 1-21

M.O.C.A. CE 1935/2004



CLAMP	Ø A	L	B	H	H 1	Ø X	PN	Kg
1/2"	24.8	52	25	70	78	5	160	0,48
3/4"	24.8	70	Ø 35	67	80	6	100	-
DIN	34	70	Ø 35	67	80	6	100	0,48
1"	50.5	90	Ø 52	104	119	10	100	-



POS.	MATERIAL
1	AISI 316L
2	AISI 316L
3	AISI 316L
4	AISI 316L
5	AISI 316L
6	AISI 304L
7	FKM
8	FKM
9	PTFE Caricato Vetro/With glass
10	PTFE
11	AISI 304L
12	AISI 304L
13	AISI 304L
14	AISI 304L

