

658201 PIN VALVE ISO 228 F WITH GRADUATE HANDWHEEL



1/4"
3/8"
1/2"



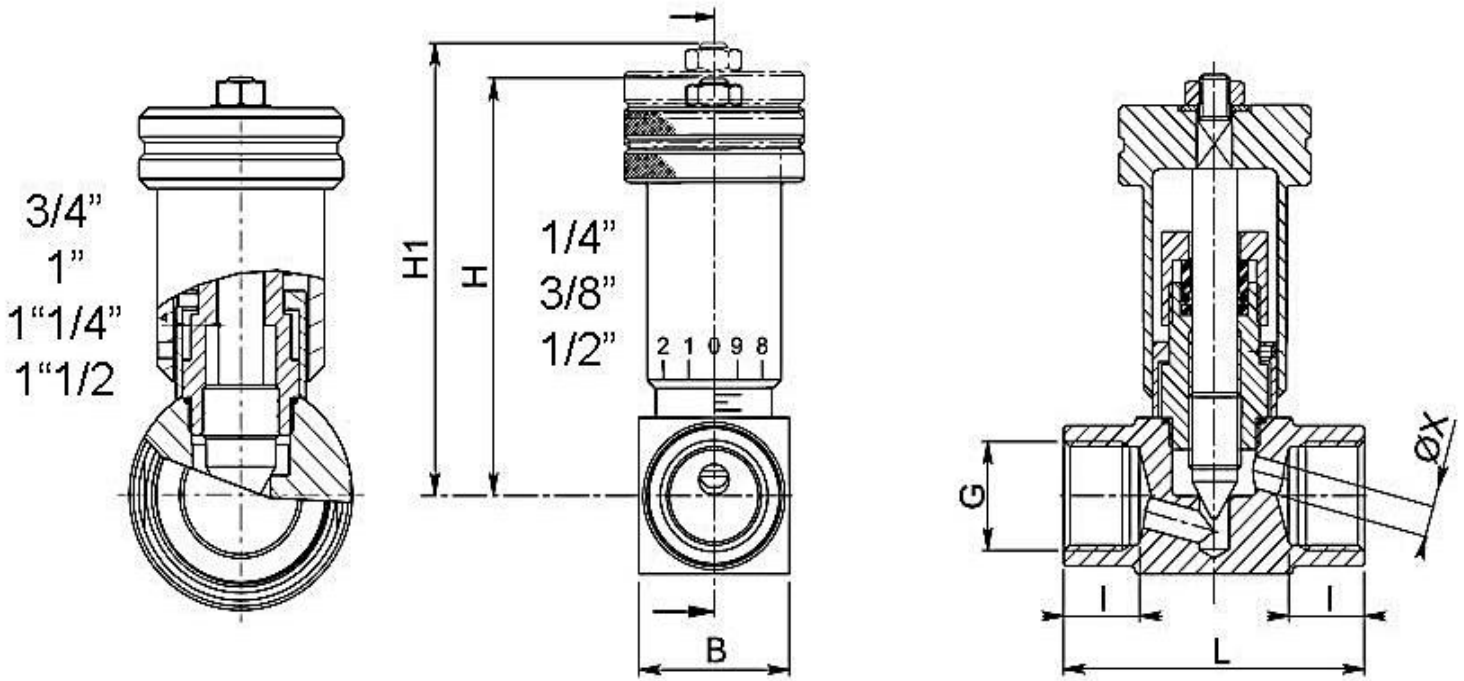
3/4"
1

PIN valve

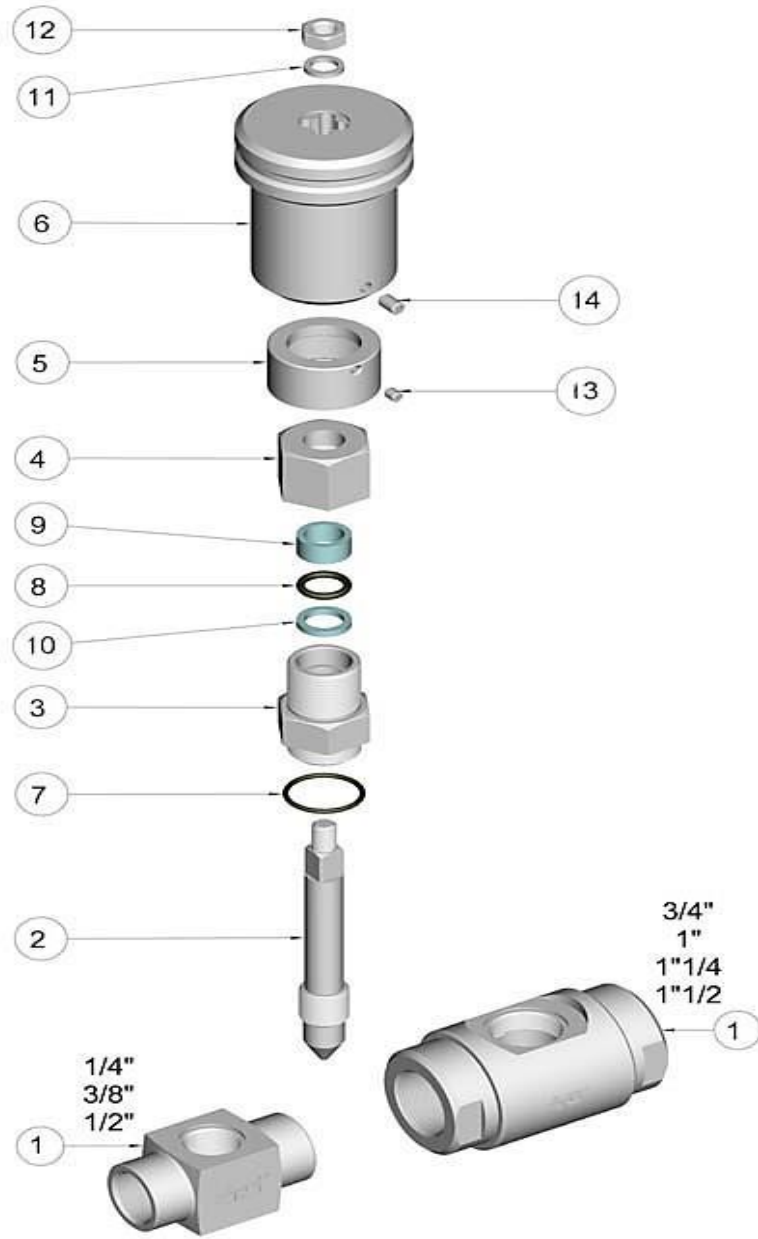
Drive: GRADUATE Handwheel
 Connection: ISO 228 female/female thread
 Material: Aisi 316L (1.4404)
 Measure: from 1/4" to 1"1/2"
 Operating temperature: -20°C+160°C
 Outer finish: Polished

On request:

Antistatic device ATEX II 2 G-D T4 zone 1-21
 M.O.C.A. CE 1935/2004



G	L	I	B	H	H1	X	PN	KG
1/4"	45	10	20	70	78	4	160	0,49
3/8"	53	11	25	70	78	5	160	0,48
1/2"	60	14	30	72	80	6	160	0,56
3/4"	80	17	Ø 48	102	117	10	100	1,125
1"	80	19	Ø 48	102	117	10	100	1,48
1" 1/4	90	19	Ø 60	109	124	16	100	2,12
1" 1/2	90	19	Ø 60	109	124	16	100	1,99



POS.	MATERIAL
1	AISI 316L
2	AISI 316L
3	AISI 316L
4	AISI 316L
5	AISI 316L
6	AISI 304L
7	FKM
8	FKM
9	PTFE Caricato Vetro/With glass
10	PTFE
11	AISI 304L
12	AISI 304L
13	AISI 304L
14	AISI 304L

