

658050 PIN VALVE FLANGED UNI EN 1092-1



PIN valve

Drive: Handwheel

Connection: Revolving threaded flanges UNI EN 1092-1:2003

Material: Aisi 316L (1.4404)

Measure: from DN10 to DN25

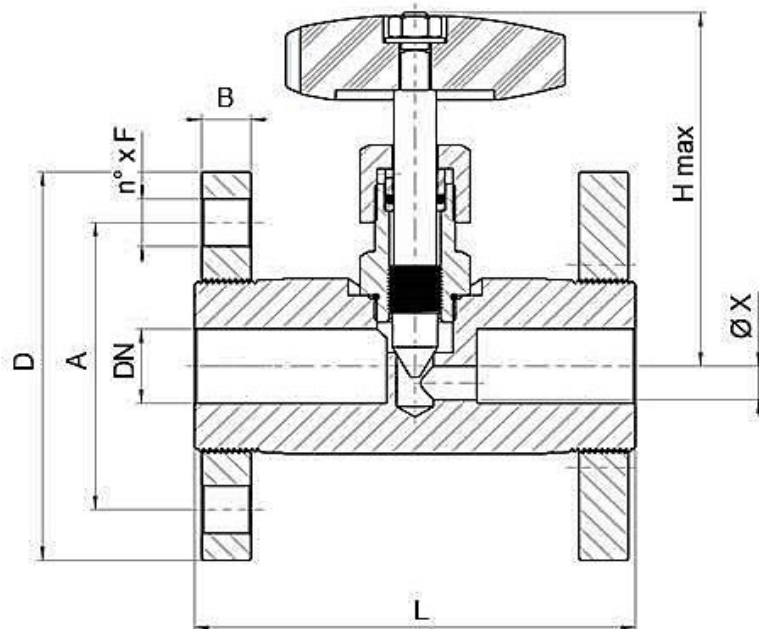
Operating temperature: -20°C+160°C

Outer finish: Polished

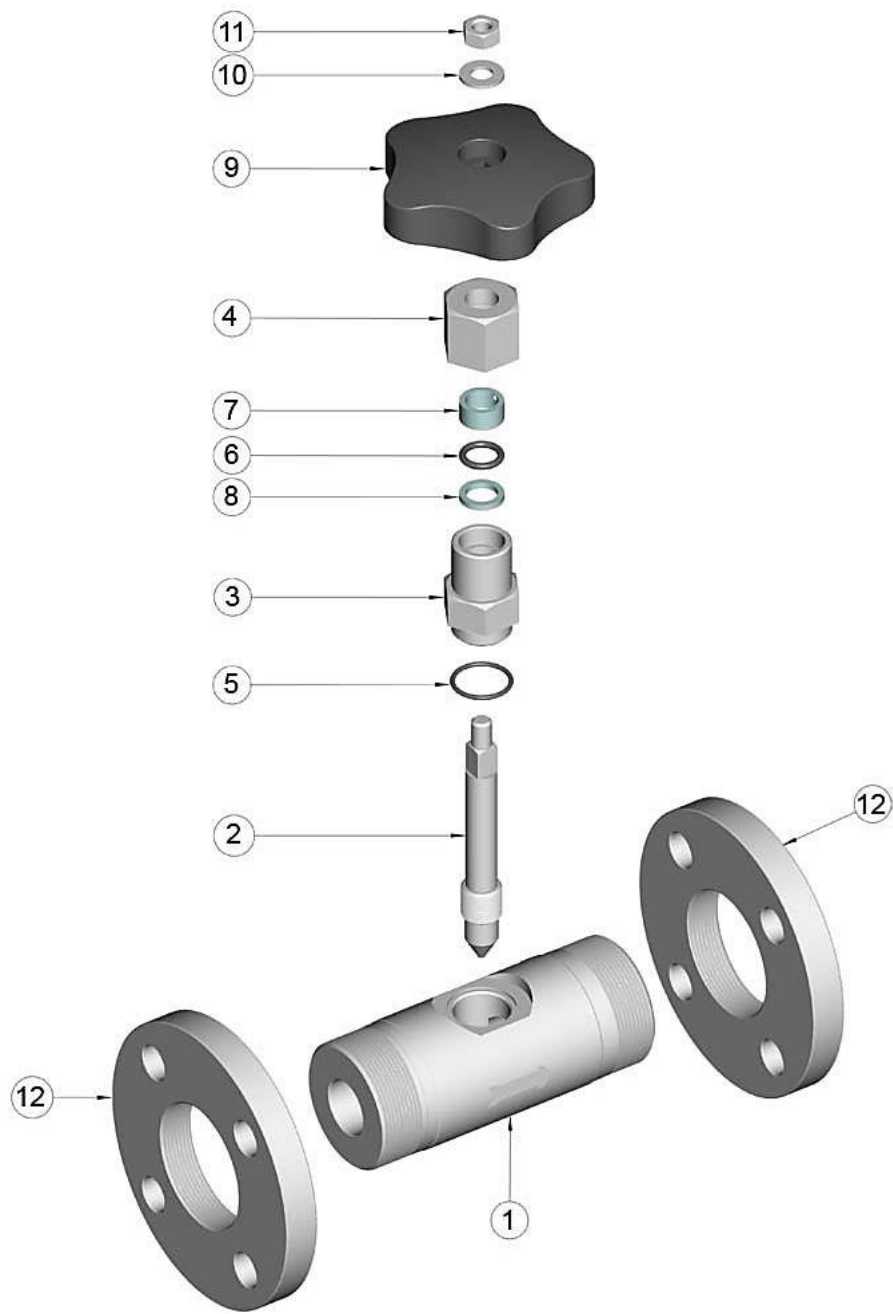
On request:

Antistatic device ATEX II 2 G-D T4 zone 1-21

M.O.C.A. CE 1935/2004



DN	L	H	X	D	B	A	F	PN	KG
10	110		5	90	12	60	4 x 14	40	-
15	115	80	6	95	12	65	4 x 14	40	1,90
20	120	117	10	105	14	75	4 x 14	40	3,30
25	125	117	10	115	14	85	4 x 14	40	3,740



POS.	MATERIAL
1	AISI 316L
2	AISI 316L
3	AISI 316L
4	AISI 316L
5	FKM
6	FKM
7	PTFE Caricato Vetro/With glass
8	PTFE
9	Duroplast
10	AISI 304L
11	AISI 304L
12	AISI 316L