

658001 Y PIN VALVE ISO 228 F FOR PANELING



PIN valve for PANELIG

Drive: Handwheel

Connection: ISO 228 female/female thread

Material: Aisi 316L (1.4404)

Measure: from 1/4" to 1"1/2

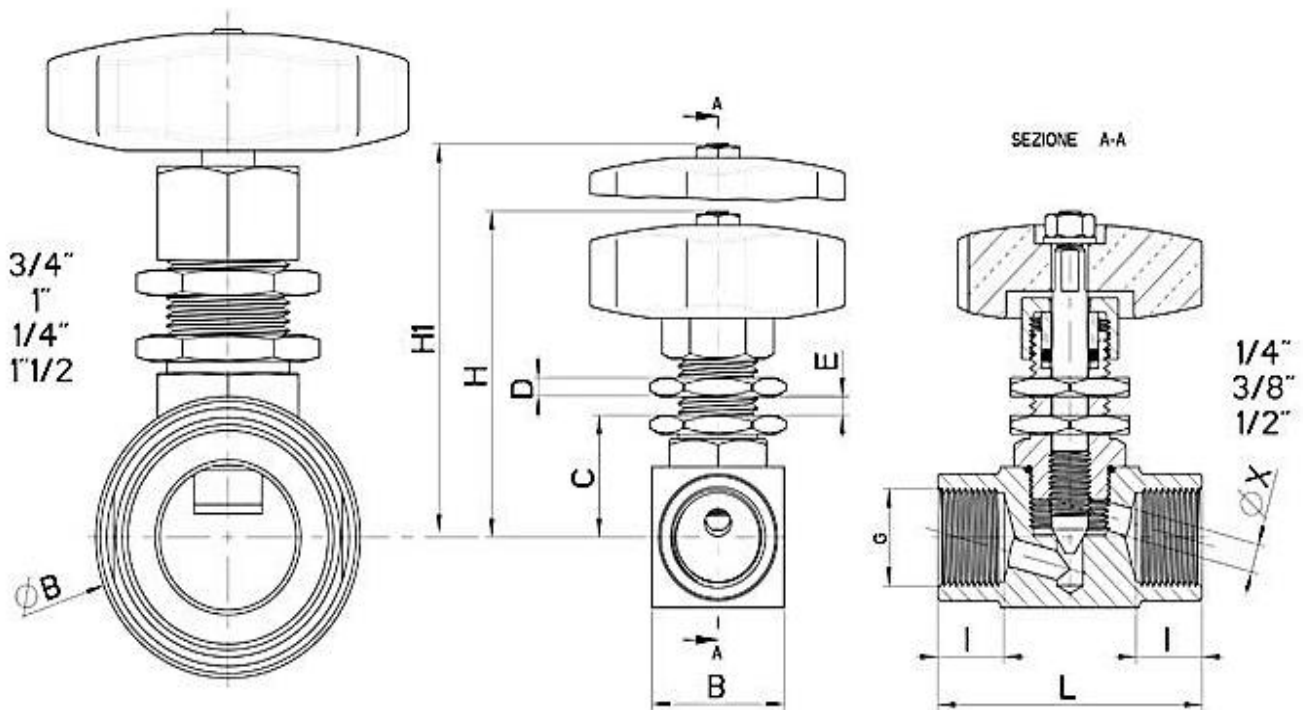
Operating temperature: -20°C+160°C

Outer finish: Polished

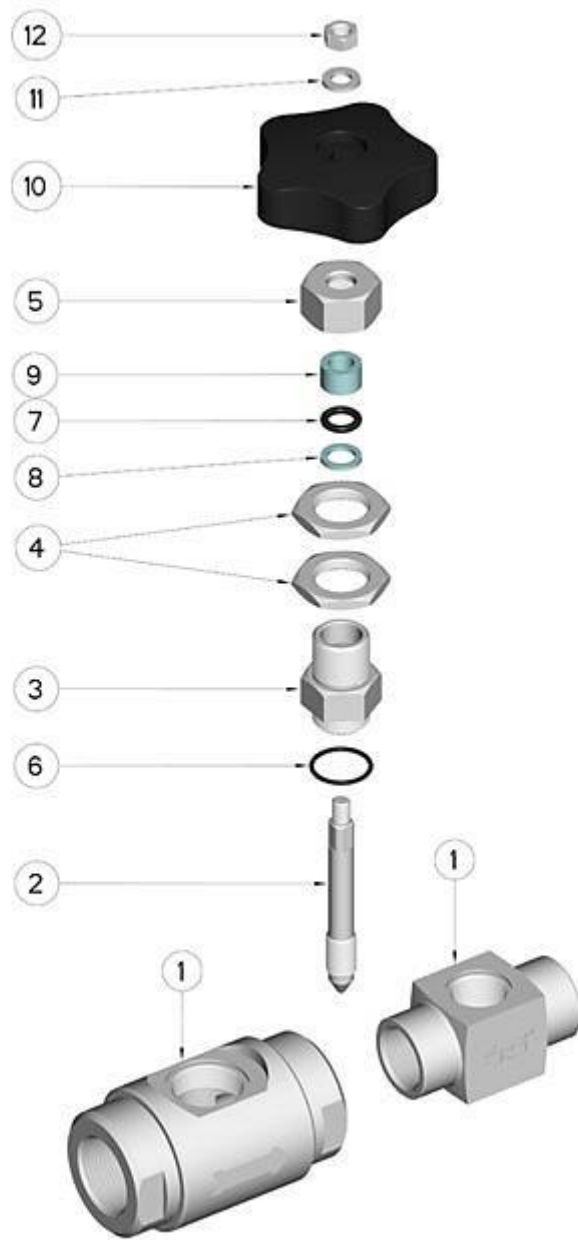
On request:

Antistatic device ATEX II 2 G-D T4 zone 1-21

M.O.C.A. CE 1935/2004



G	L	I	B	H	H1	X	C	D	A	Ch.	E	PN	Kg
1/4"	45	10	25	70	78	4	25	4	18	27	6	160	0,277
3/8"	53	11	25	70	78	5	25	4	18	27	6	160	0,306
1/2"	60	14	30	70	78	6	25	4	18	27	6	160	0,409
3/4"	80	17	Ø48	102	117	10	34,5	5	23	32	11	100	1,177
1"	80	19	Ø48	102	117	10	34,5	5	23	32	11	100	1,08
1" 1/4	90	19	Ø60	108	123	16	42	6	28	32	11	100	1,8
1" 1/2	90	19	Ø60	108	123	16	42	6	28	32	11	100	1,65



POS.	MATERIAL
1	AISI 316L
2	AISI 316L
3	AISI 316L
4	AISI 316L
5	AISI 316L
6	FKM
7	FKM
8	PTFE Caricato Vetro/With glass
9	PTFE
10	Duroplast
11	AISI 304L
12	AISI 304L