

- ▶ **Body** Stainless Steel
ASTM A351 CF 8M

- ▶ **Shaft** Stainless Steel
ASTM AA182 F316

- ▶ **Disc** Stainless Steel
ASTM A351 CF 8M

- ▶ **Seat** PTFE

- ▶ **Temperature** -25°C up to +220°C

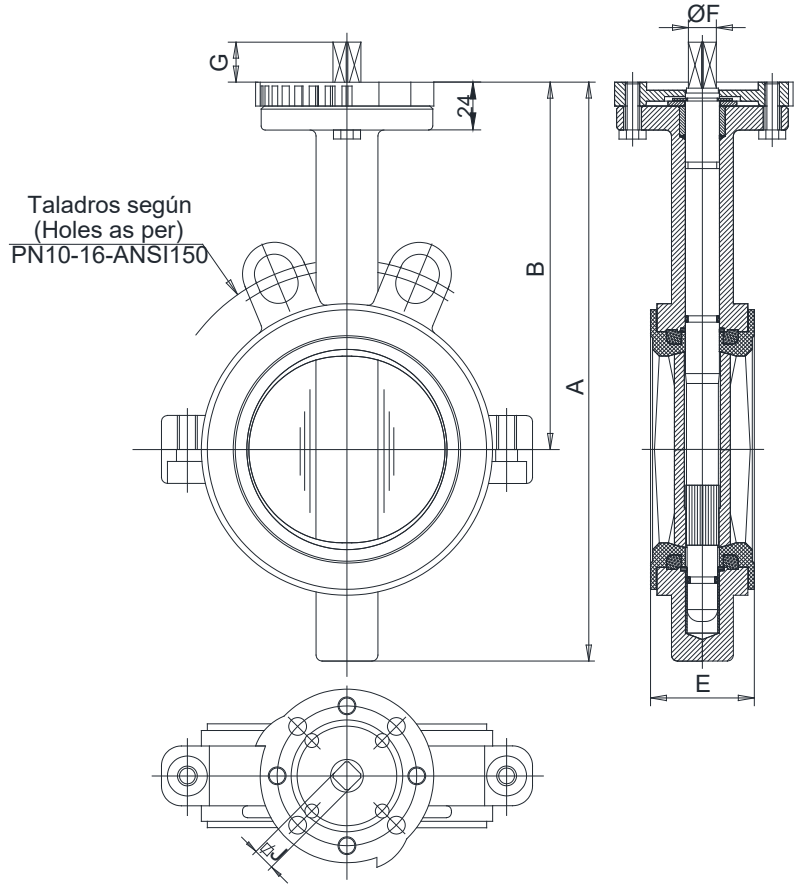
- ▶ **Tolerances** ISO 2768-M

- ▶ **Face to Face** EN 558 Series 20
ISO 5752 Series 20
API 609 Table 1
BS 5155 Series 4

- ▶ **Pressure test according to standards** API 598, ISO 5208:
Body: 1.5×PN
Seat: 1.1×PN

- ▶ **Mounting between flanges** ISO 7005 - 1, 2 & 3 PN10-16
ANSI B16.5 CL. 150#
JIS B2210 - 10K
AS2129 TABLE E

- ▶ **Tightness test** ISO 5208, Rate A
API 598



DN		A	B	E	F	G	J	ISO 5211	Weight Kg
mm	inch								
40	1½"	205	140	33	9.8	14	8	F05-07	2
50	2"	226	156	43	9.8	14	8	F05-07	3.5
65	2½"	242	161	46	12	16	9	F05-07	4.5
80	3"	262	167	46	14	16	11	F05-07	5
100	4"	290	184	52	14	20	11	F07	6.5
125	5"	326	207	56	18	20	14	F07	8
150	6"	348	215	56	18	20	14	F07	9
200	8"	438	257	60	22	24	17	F07	15