

## 303030 T FOR BS PIPE



THREE-way ball valve 4 seals with "T" port  
Drive: ISO 5211 – DIN 3337 flange for actuator  
Connection: **CLAMP normative DIN 32676 TAB.4 REIHE C**  
**For TUBE according to normative BS/OD (ASTM A270)**  
Flow: Full and reduced  
Material: Aisi 304L (1.4307) – Aisi 316L (1.4404)  
Measure: from 1/2" to 4"  
Seals: Modified Virgin P.T.F.E.  
Operating temperature: -20°C+170°C  
Outer finish: Polished

On request:

Antistatic device ATEX II 2 G-D T4 zone 1-21

M.O.C.A. CE 1935/2004

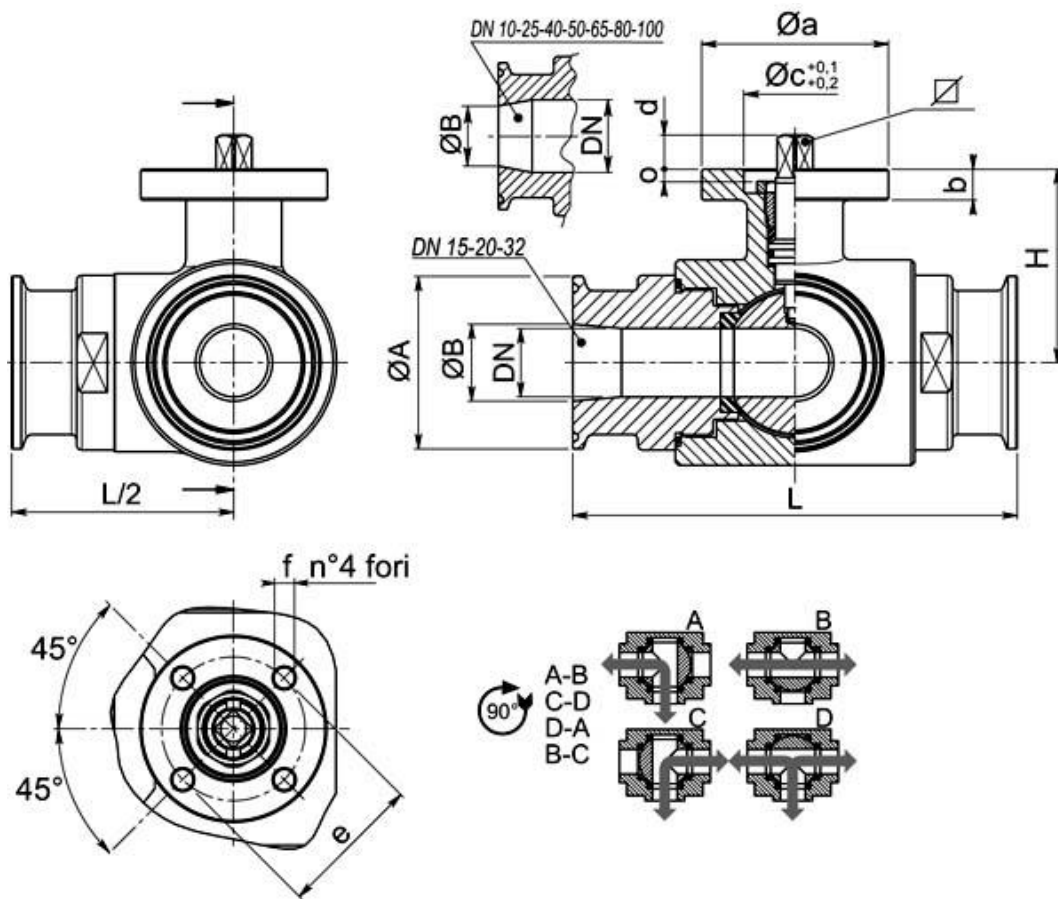
• Seals made of:

PTFE with glass -20°C+170°C

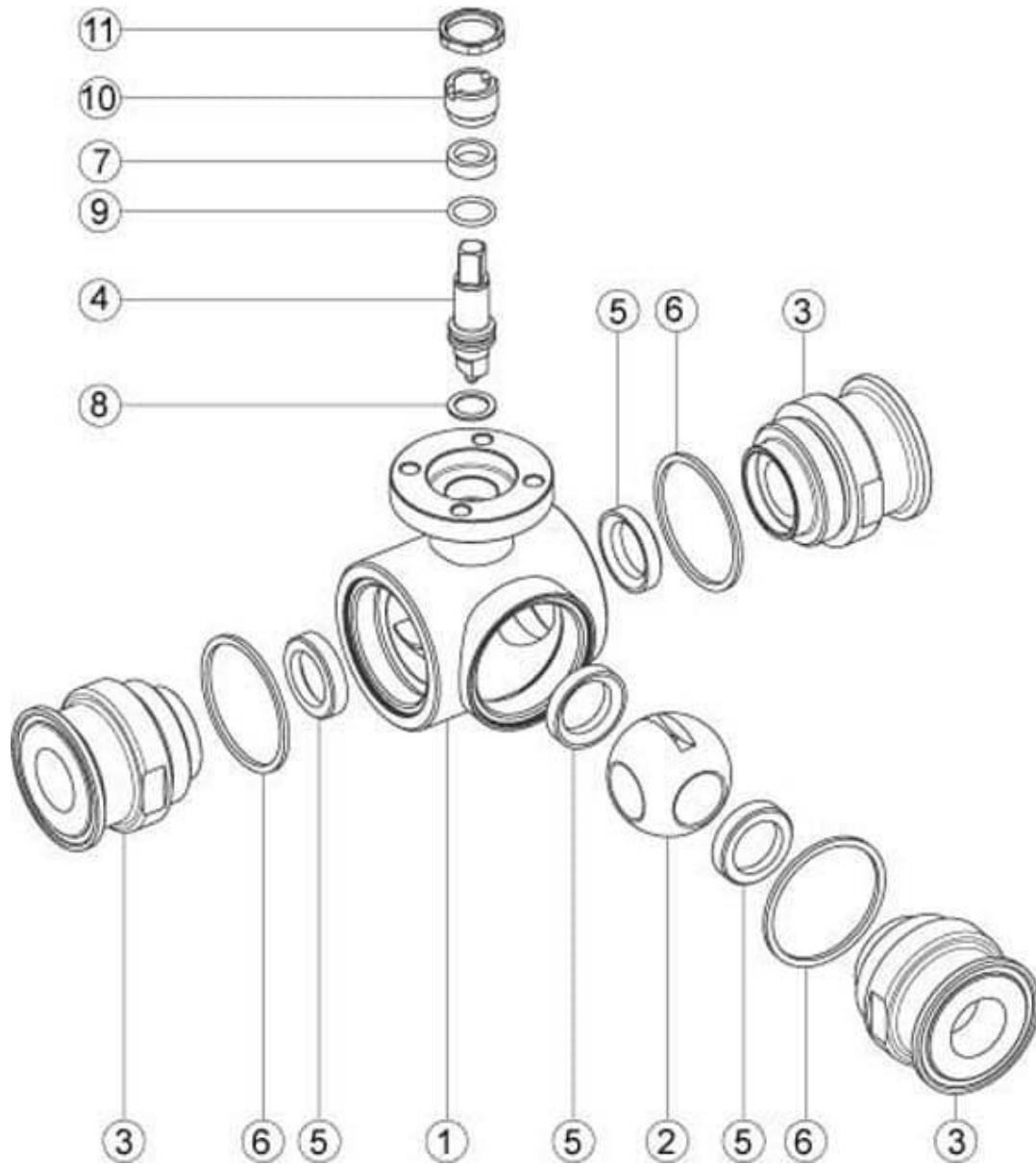
PTFE with carbographite -20°C+180°C

PTFE with inox -20°C+200°C

UHMW High-molecular weight polyethylene -20°C+80°C



CLAMP REIHE C INCH	L	Ø A	Ø B	H	PN	Kg	ISO-DIN	Ø a	Ø c <sub>xo</sub>	□	d	e	Nm
1/2"	108	25	9,7	46,5	100	1,06	F.03	46	25x3	9	8	36	10
1/2"	108	25	9,7	46,5	100	1,10	F.04	54	30x3	11	10	42	10
3/4"	118	25	16	49	100	1,31	F.03	46	25x3	9	8	36	12
3/4"	118	25	16	49	100	1,35	F.04	54	30x3	11	10	42	12
1"	130	50,5	22,2	56,5	100	2,43	F.04	54	30x3	11	10	42	23
1"	130	50,5	22,2	56,5	100	2,54	F.05	65	35x3	14	13	50	23
1"	140	50,5	22,2	61	64	3,12	F.04	54	30x3	11	10	42	25
1"	140	50,5	22,2	61	64	3,23	F.05	65	35x3	14	13	50	25
1 1/2"	156	50,5	34,8	81,5	64	4,87	F.05	65	35x4	14	13	50	33
1 1/2"	156	50,5	34,8	81,5	64	5,03	F.07	90	55x4	17	15	70	33
1 1/2"	172	50,5	34,8	89	64	7,25	F.05	65	35x4	14	13	50	40
1 1/2"	172	50,5	34,8	89	64	7,42	F.07	90	55x4	17	15	70	40
2"	182	64	47,5	91,5	40	8,65	F.07	90	55x4	17	15	70	50
2"	182	64	47,5	91,5	40	8,82	F.10	125	70x4	22	18	102	50
2 1/2"	196	77,5	60,2	101,5	40	10,65	F.07	90	55x4	17	15	70	60
2 1/2"	196	77,5	60,2	101,5	40	11,15	F.10	125	70x4	22	18	102	60
3"	256	91	72,6	116	40	21,85	F.07	90	55x4	17	15	70	110
3"	256	91	72,6	116	40	22,35	F.10	125	70x4	22	18	102	110
4"	286	119	97,6	131	16	33,80	F.07	90	55x4	17	15	70	130
4"	286	119	97,6	131	16	34,28	F.10	125	70x4	22	18	102	130



POS.	DENOMINATION	PCS	MAT.
1	Body	1	AISI 304L - 316L
2	Ball	1	AISI 304L - 316L
3	Sleeves	3	AISI 304L - 316L
4	Stem	1	AISI 304L - 316L
5	Ball Seals	4	PTFE Vergine Modificato
6	Sleeve Seals	3	PTFE
7	Stem Seal	1	PTFE
8	Stem Seal	1	PTFE
9	Stem or-Seal	1	FKM
10	Register ring	1	AISI 304L (303)
11	Locknut	1	AISI 303

