

## 300101\_T\_4 SEALS STANDARD SEALS – ISO 228 F



### **THREE-way ball valve 4 seals with “T” port**

Drive: Inox lever

Connection: ISO 228 female/female/female thread

Flow: Full

Material: Aisi 304L (1.4307) – Aisi 316L (1.4404)

Measure: from 1/4” to 4”

Seals: Modified Virgin P.T.F.E.

Operating temperature: -20°C+170°C

Outer finish: Polished

On request:

Antistatic device ATEX II 2 G-D T4 zone 1-21

M.O.C.A. CE 1935/2004

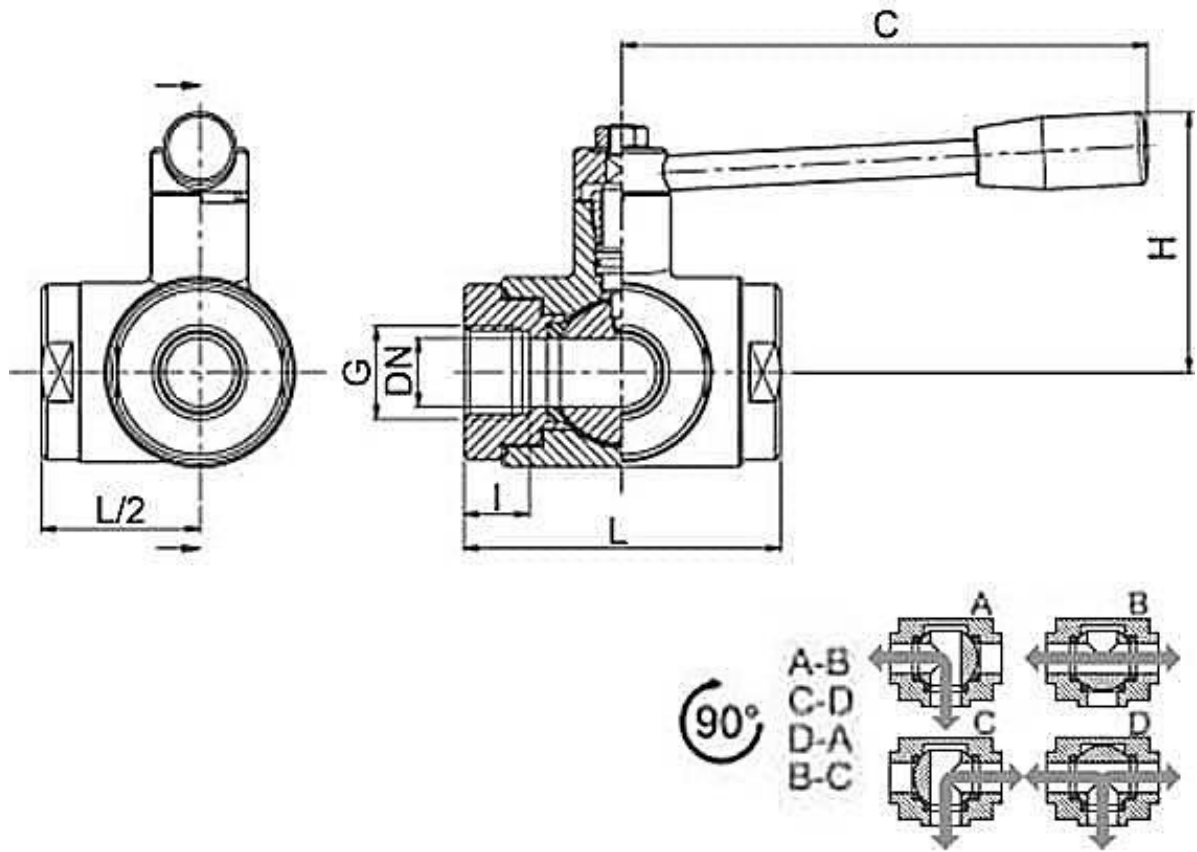
• Seals made of:

PTFE with glass -20°C+170°C

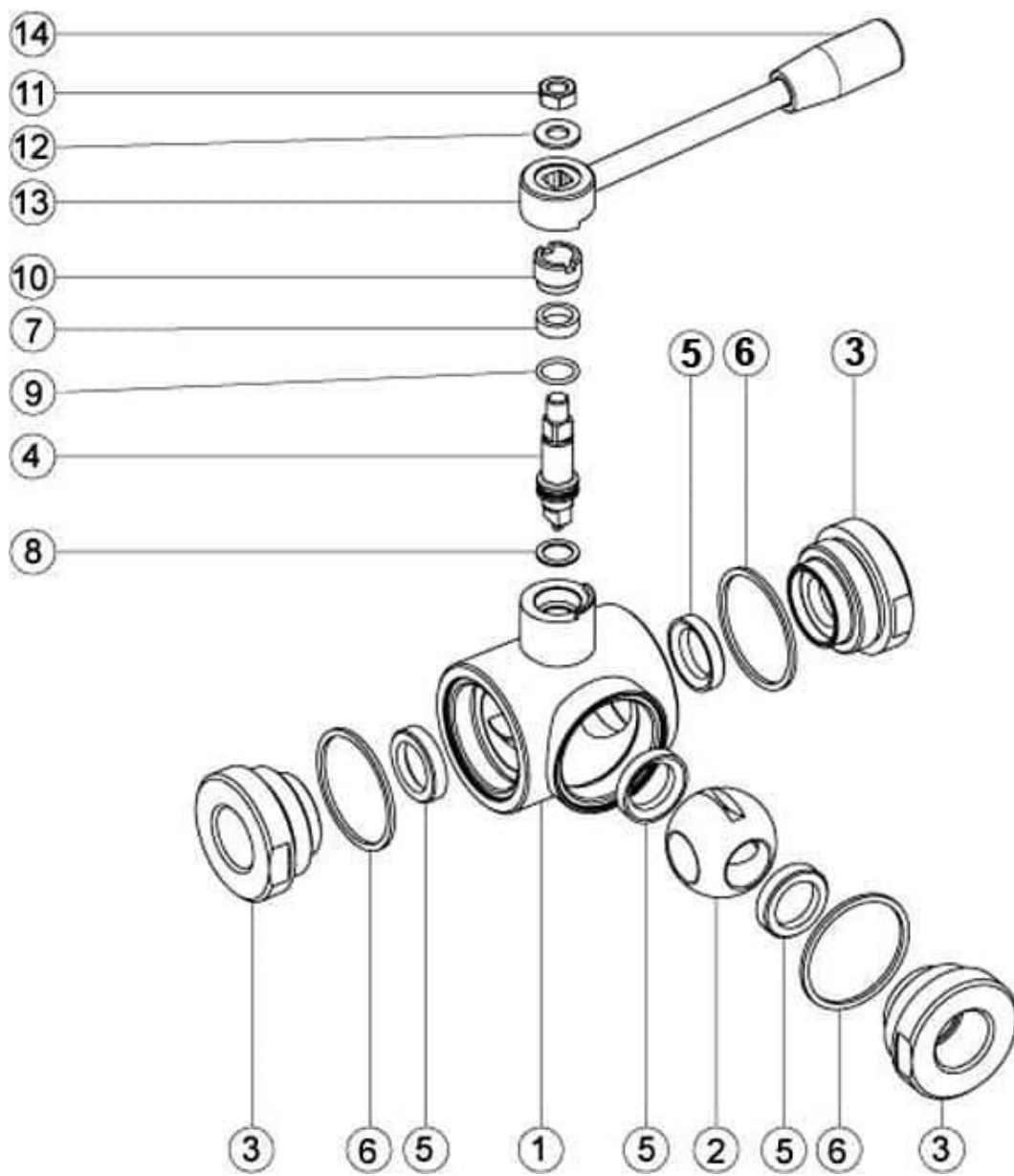
PTFE with carbographite -20°C+180°C

PTFE with inox -20°C+200°C

UHMW High-molecular weight polyethylene -20°C+80°C



G	DN	L	I	C	H	PN	Kg
1/4"	12	72	16	110	60	100	0,91
3/8"	12	72	16	110	60	100	0,90
1/2"	15	82	18	110	65	100	1,20
3/4"	20	92	19	160	70	100	1,88
1"	25	102	20	160	80	64	2,50
1"1/4	32	118	20	190	95	64	4,42
1"1/2	40	134	20	190	110	64	6,68
2"	50	144	20	220	120	40	7,99
2"1/2	65	160	22	285	130	40	9,84
3"	80	200	26	310	145	40	20,30
4"	100	240	26	310	160	16	32,75



POS.	DENOMINATION	PCS	MAT.
1	Body	1	AISI 304L - 316L
2	Ball	1	AISI 304L - 316L
3	Sleeves	3	AISI 304L - 316L
4	Stem	1	AISI 304L - 316L
5	Ball Seals	4	PTFE
6	Sleeve Seals	3	PTFE
7	Stem Seal	1	PTFE
8	Stem Seal	1	PTFE
9	Stem or-Seal	1	FKM
10	Register ring	1	AISI 304L (303)
11	Nut	1	AISI 304L
12	Washer	1	AISI 304L
13	Lever	1	AISI 304L
14	Handle	1	DUROPLAST (PF)

