

100130 FOR ISO PIPE



TWO-way ball valve

Drive: Inox lever

Connection: **CLAMP normative DIN 32676 TAB.3 REIHE B**
According to normative ISO 1127 for TUBE

Flow: Full and reduced

Material: AISI 316L (1.4404)

Measure: from DN10 to DN100

Seals: Modified Virgin P.T.F.E.

Operating temperature: -20°C +170°C

Outer finish: Polished

On request:

Antistatic device ATEX II 2 G-D T4 zone 1-21

M.O.C.A. CE 1935/2004

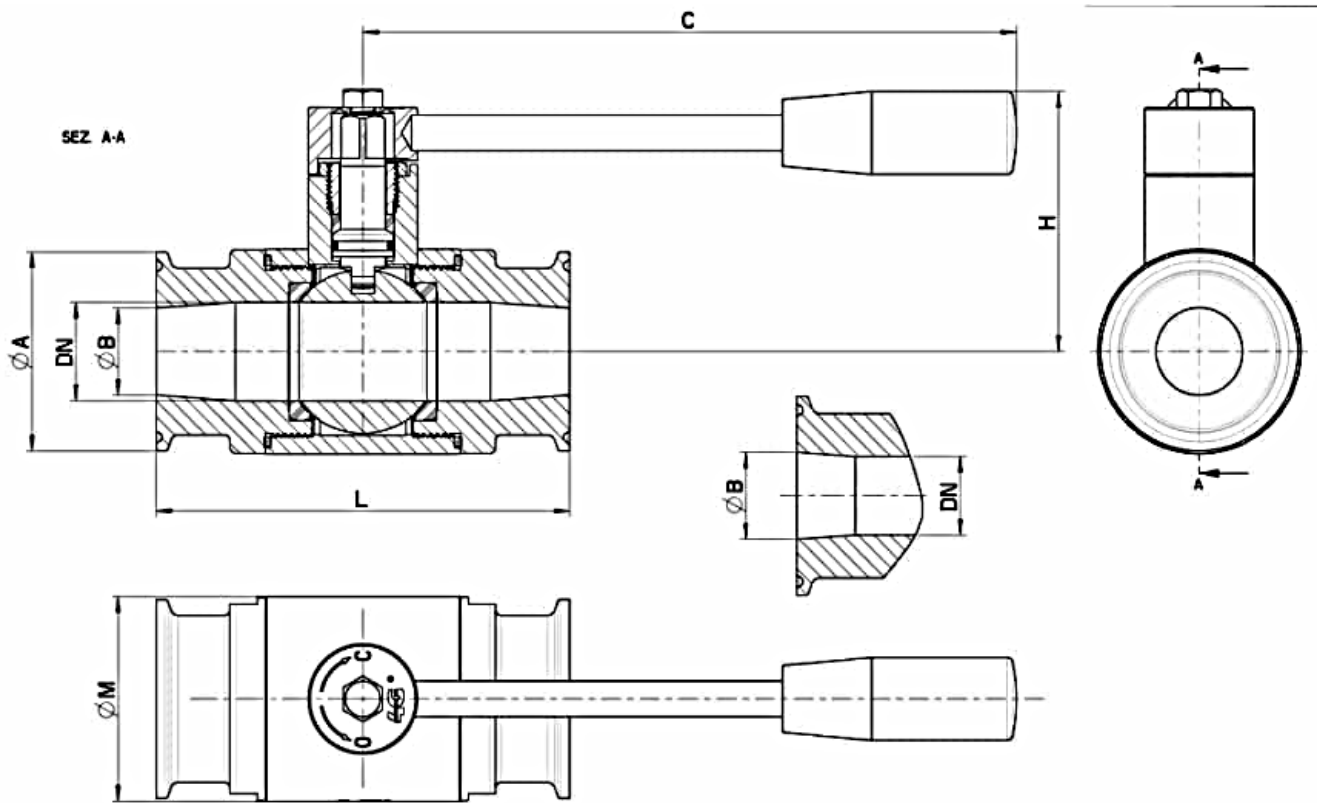
• Seals made of:

PTFE with glass -20°C+170°C

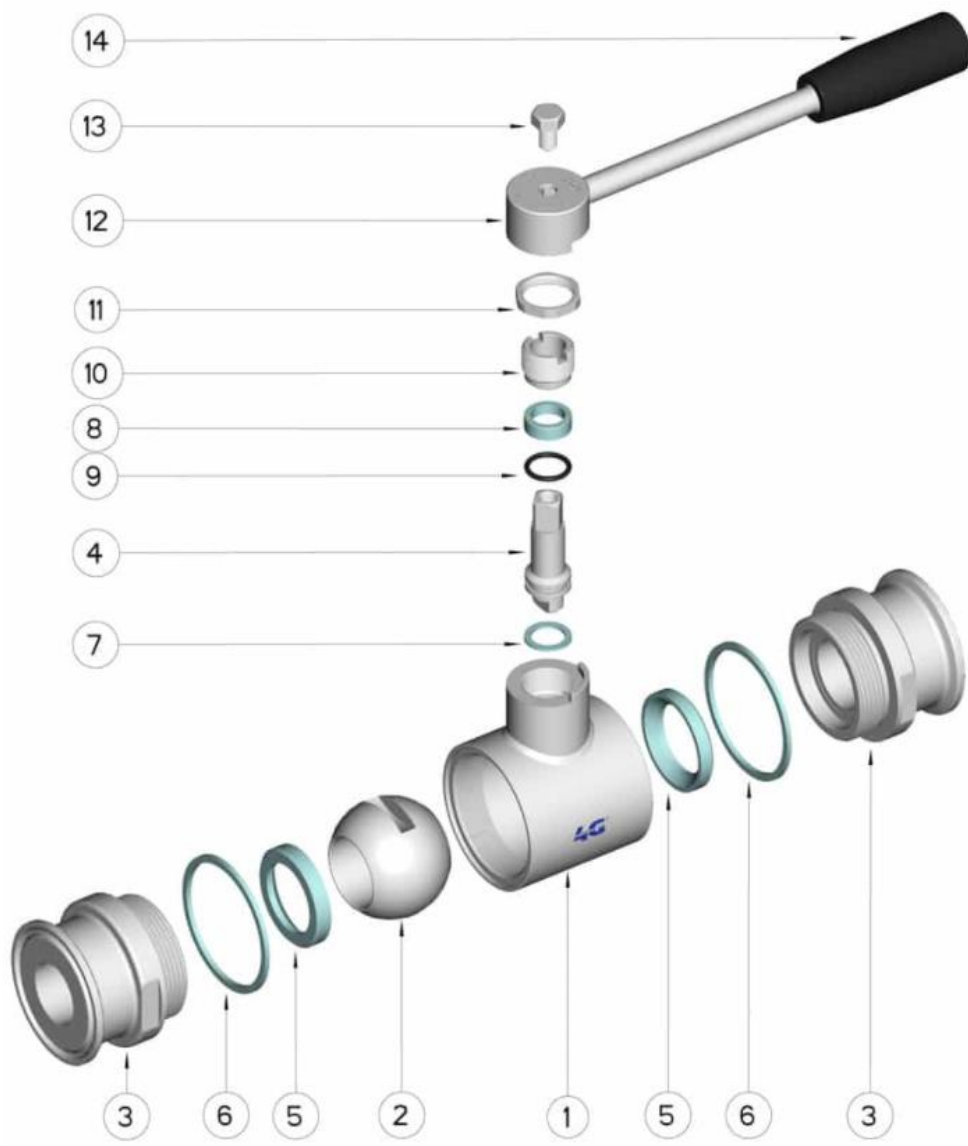
PTFE with carbographite -20°C+180°C

PTFE with inox -20°C+200°C

UHMW High-molecular weight polyethylene -20°C+80°C



CLAMP REIHNE B OD	DN	L	$\varnothing A$	$\varnothing B$	C	H	$\varnothing M$	PN	Kg
13.5	10	88	25	10.3	110	50	30	100	0,43
17.2	15	92	25	14	110	55	35	100	0,52
21.3	20	102	50.5	18.1	110	60	42	100	0,93
26.9	25	106	50,5	23.7	160	65	52	64	1,35
33.7	25	106	50,5	29.7	160	65	52	64	1,33
33.7	32	112	50,5	29.7	160	70	60	64	1,42
42.4	40	126	64	38.4	190	80	73	64	2,43
48.3	40	126	64	44.3	190	80	73	64	2,43
60.3	50	136	77.5	56.3	190	90	88	40	3,51
76.1	65	154	91	72.1	220	110	113	40	5,80
88.9	80	184	106	84.3	285	130	135	40	9,00
114.3	100	190	130	109.7	310	150	167	25	13,60



POS.	MATERIAL
1	AISI (304L) 316L
2	AISI (304L) 316L
3	AISI (304L) 316L
4	AISI (304L) 316L
5	PTFE Vergine Modificato
6	PTFE
7	PTFE
8	PTFE
9	FKM
10	AISI 304L (303)
11	AISI 304L
12	AISI 304L
13	AISI 304L
14	DUROPLAST (PF)

