

# 100130 FOR DIN PIPE



## **TWO-way ball valve**

Drive: Inox lever

Connection: **CLAMP normative DIN 32676 TAB.2 REIHE A**  
**According to normative DIN 11850 for TUBE**

Flow: Full and reduced

Material: Aisi 316L (1.4404)

Measure: from DN10 to DN100

Seals: Modified Virgin P.T.F.E.

Operating temperature: -20°C+170°C

Outer finish: Polished

On request:

Antistatic device ATEX II 2 G-D T4 zone 1-21

M.O.C.A. CE 1935/2004

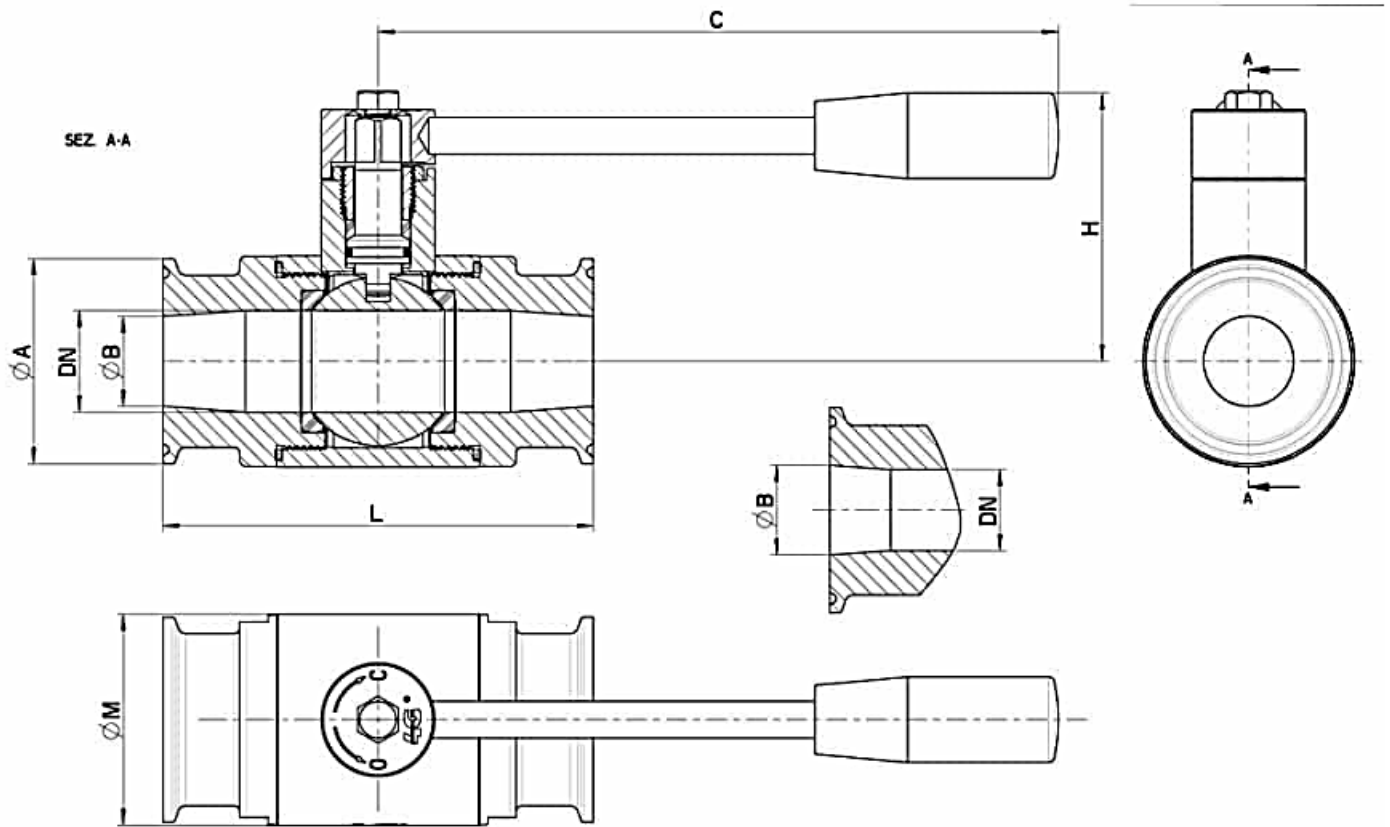
• Seals made of:

PTFE with glass -20°C+170°C

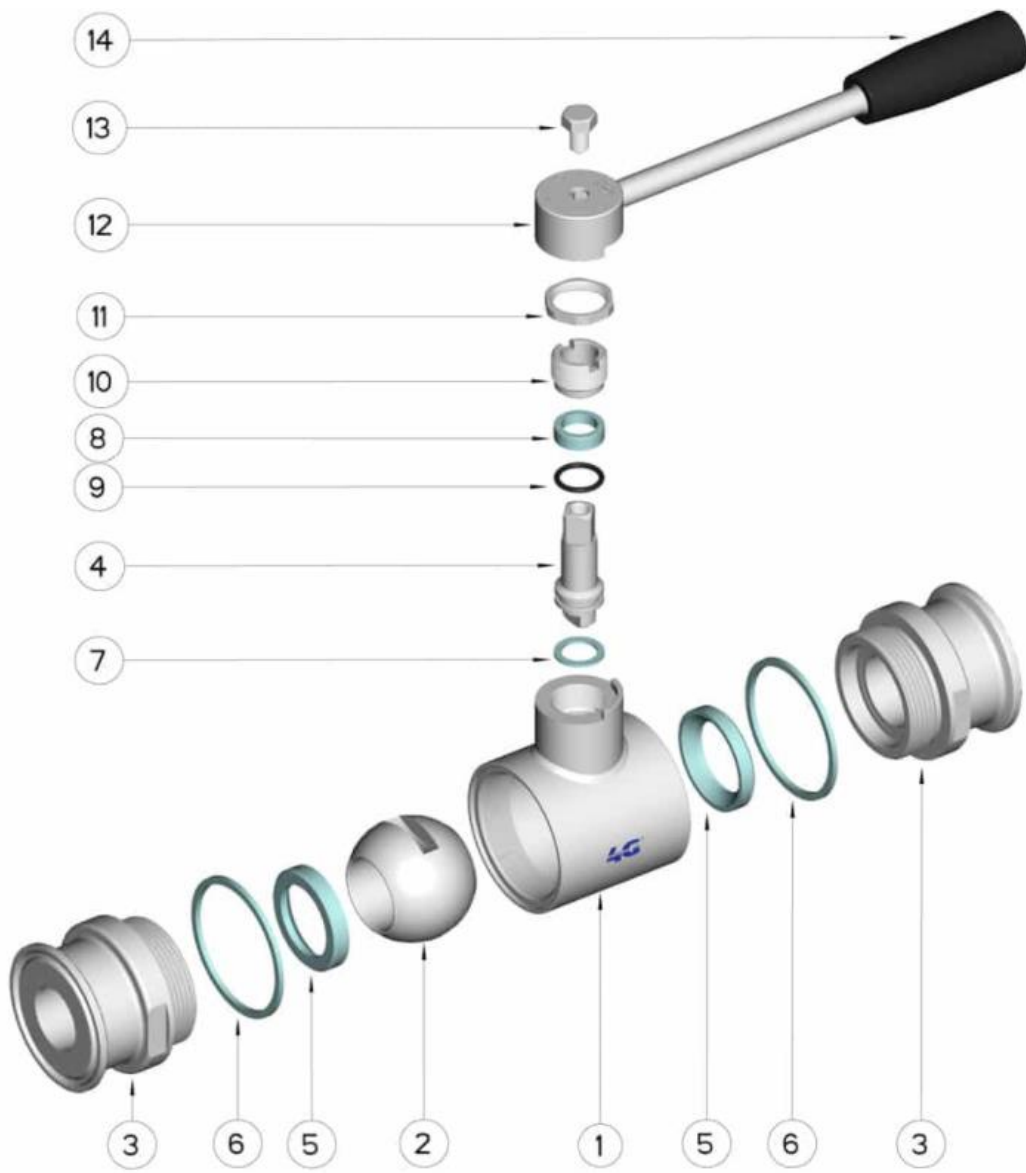
PTFE with carbographite -20°C+180°C

PTFE with inox -20°C+200°C

UHMW High-molecular weight polyethylene -20°C+80°C



CLAMP REIHNE A DN	L	Ø A	Ø B	C	H	ØM	PN	Kg
10	88	34	10	110	50	30	100	0,43
15	92	34	16	110	55	35	100	0,52
20	102	34	20	110	60	42	100	0,93
25	106	50,5	26	160	65	52	64	1,35
32	112	50,5	32	160	70	60	64	1,42
40	126	50,5	38	190	80	73	64	2,43
50	136	64	50	190	90	88	40	3,51
65	154	91	66	220	110	113	40	5,80
80	184	106	81	285	130	135	40	9,00
100	190	119	100	310	150	167	25	13,60



POS.	MATERIAL
1	AISI (304L) 316L
2	AISI (304L) 316L
3	AISI (304L) 316L
4	AISI (304L) 316L
5	PTFE Vergine Modificato
6	PTFE
7	PTFE
8	PTFE
9	FKM
10	AISI 304L (303)
11	AISI 304L
12	AISI 304L
13	AISI 304L
14	DUROPLAST (PF)

