

100130 FOR BS PIPE



TWO-way ball valve

Drive: Inox lever

Connection: **CLAMP normative DIN 32676 TAB.4 REIHE C**
According to normative BS/OD (ASTM A270) for TUBE

Flow: Full and reduced

Material: Aisi 304L (1.4307) – Aisi 316L (1.4404)

Measure: from 1/2" to 4"

Seals: Modified Virgin P.T.F.E.

Operating temperature: -20°C+170°C

Outer finish: Polished

On request:

Antistatic device ATEX II 2 G-D T4 zone 1-21

M.O.C.A. CE 1935/2004

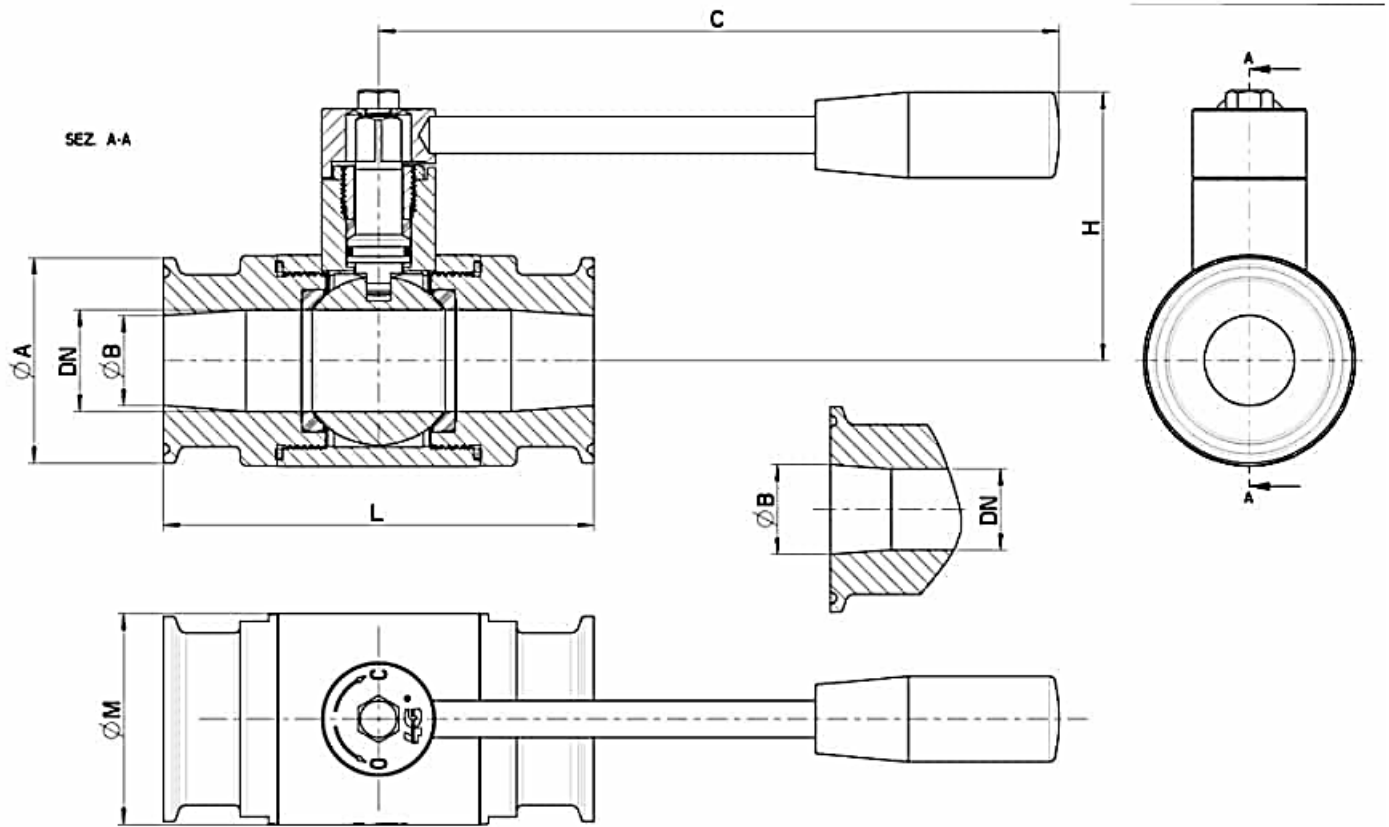
• Seals made of:

PTFE with glass -20°C+170°C

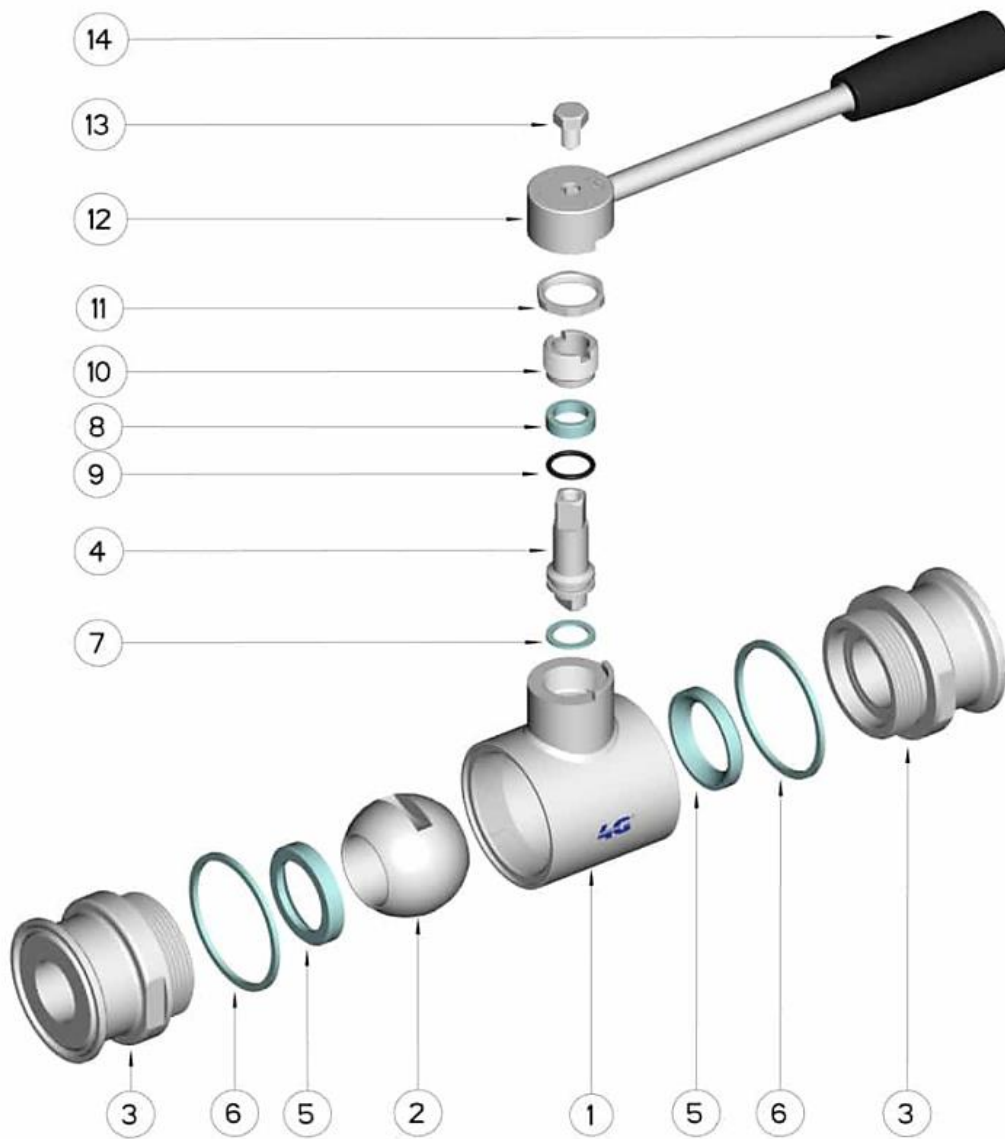
PTFE with carbographite -20°C+180°C

PTFE with inox -20°C+200°C

UHMW High-molecular weight polyethylene -20°C+80°C



CLAMP	DN	L	Ø A	Ø B	C	H	ØM	PN	Kg
1/2"	10	88	25	9,4	110	50	30	100	0,43
3/4"	15	92	25	15,75	110	55	35	100	0,52
1"	20	102	50,5	22,1	110	58	42	100	0,93
1"	25	106	50,5	22,1	160	65	52	64	1,35
1"1/2	32	112	50,5	34,8	160	74	60	64	1,42
1"1/2	40	126	50,5	34,8	190	92	73	64	2,43
2"	50	136	64	47,5	190	110	88	40	3,51
2"1/2	65	154	77,5	60,2	220	115	113	40	5,80
3"	80	184	91	72,9	285	130	135	40	9,00
4"	100	190	119	97,38	310	150	167	25	13,60



POS.	MATERIAL
1	AISI (304L) 316L
2	AISI (304L) 316L
3	AISI (304L) 316L
4	AISI (304L) 316L
5	PTFE Vergine Modificato
6	PTFE
7	PTFE
8	PTFE
9	FKM
10	AISI 304L (303)
11	AISI 304L
12	AISI 304L
13	AISI 304L
14	DUROPLAST (PF)

