

100109 STANDARD SEALS – ISO 228 F/M



TWO-way ball valve

Drive: Inox lever

Connection: ISO 228 female/male thread

Flow: Full

Material: Aisi 304L (1.4307) – Aisi 316L (1.4404)

Measure: from 1/4" to 4"

Seals: Modified Virgin P.T.F.E.

Operating temperature: -20°C+170°C

Outer finish: Polished

On request:

Antistatic device ATEX II 2 G-D T4 zone 1-21

M.O.C.A. CE 1935/2004

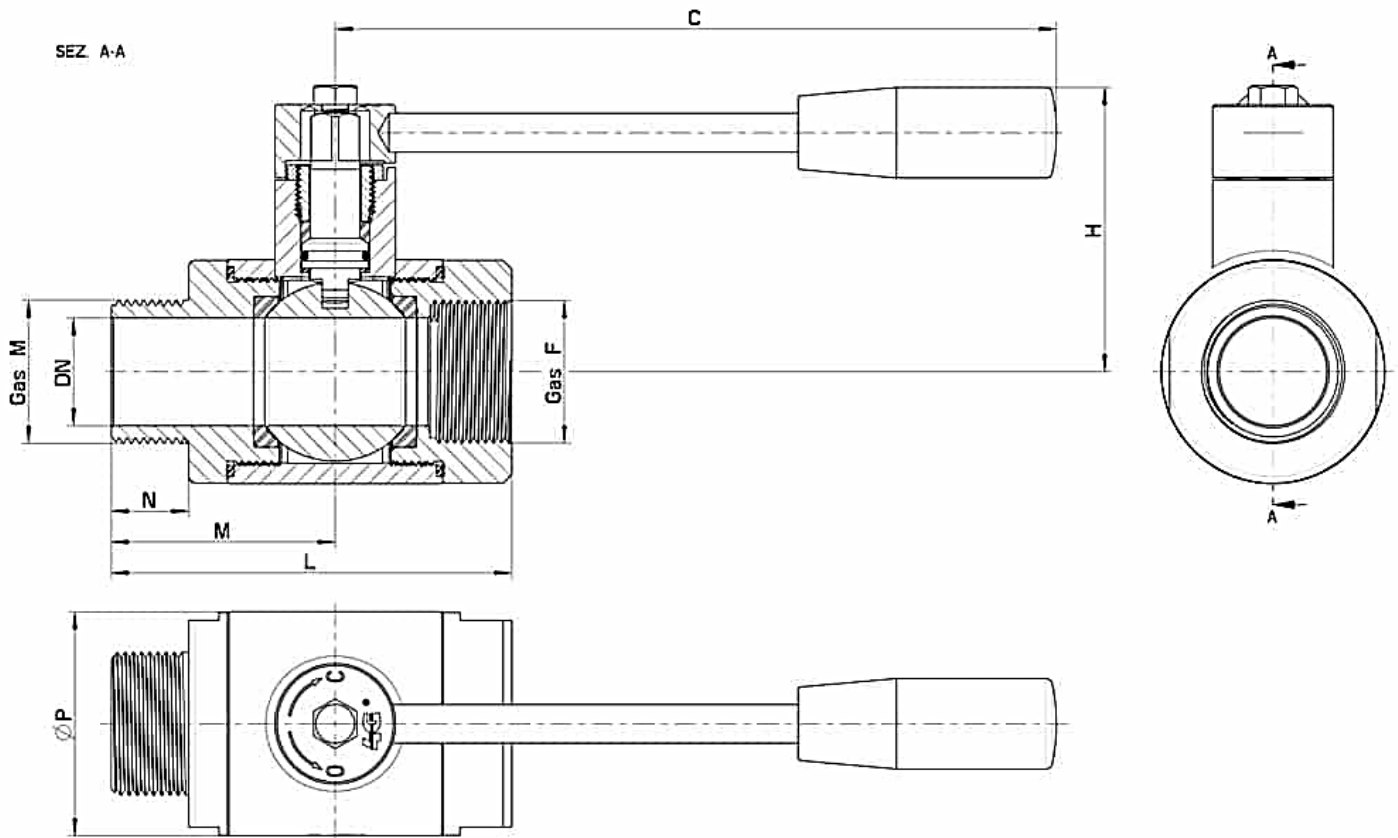
• Seals made of:

PTFE with glass -20°C+170°C

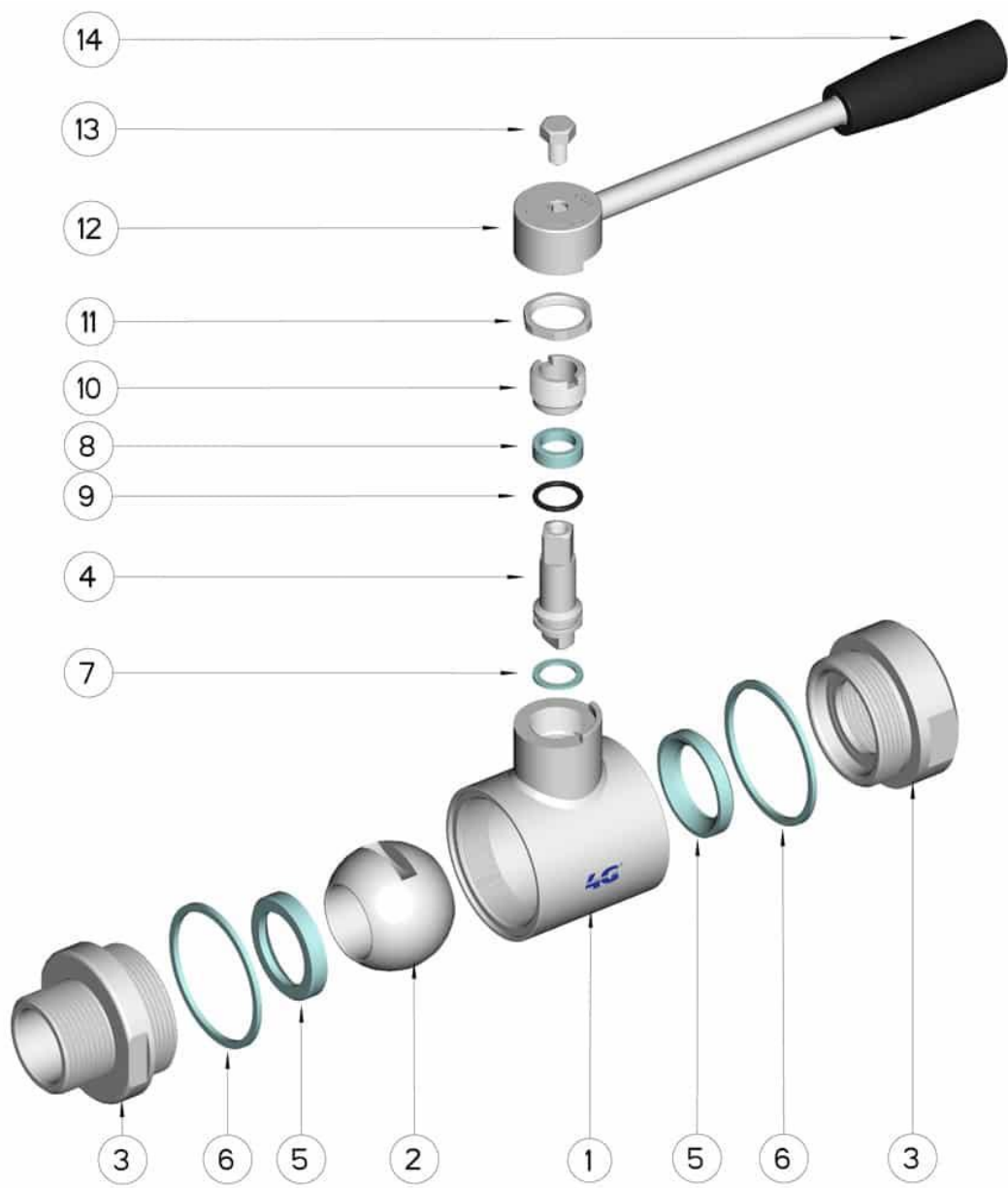
PTFE with carbographite -20°C+180°C

PTFE with inox -20°C+200°C

UHMW High-molecular weight polyethylene -20°C+80°C



G	DN	L	I	N	M	C	H	ØP	PN	Kg
1/4"	9	64	13	11	38	110	50	30	100	0,36
3/8"	10	66	13	13	40	110	50	30	100	0,35
1/2"	15	76	15	15	45	110	55	35	100	0,45
3/4"	20	85	17	16	49	110	60	42	100	0,66
1"	25	93	19	18	52	160	65	52	64	1,13
1"1/4	32	103	19	18	57	160	70	60	64	1,38
1"1/2	40	116	20	20	64	190	80	73	64	2,38
2"	50	131	20	24	73	190	90	88	40	3,47
2"1/2	65	145	20	25	81	220	110	113	40	5,85
3"	80	170	24	30	95	285	130	135	40	8,92
4"	100	192	26	36	104	310	150	167	25	14,80



Vị trí	Mô tả	Số lượng chi tiết	Vật liệu
1	Body	1	AISI (304L) 316L
2	Ball	1	AISI (304L) 316L
3	Sleeves	2	AISI (304L) 316L
4	Stem	1	AISI (304L) 316L
5	Ball seals	2	PTFE Vergine Modificato
6	Sleeve seals	2	PTFE
7	Stem seal	1	PTFE
8	Stem seal	1	PTFE
9	Stem or-seal	1	FKM
10	Register ring	1	AISI 304L (303)
11	Locknut	1	AISI 304L
12	Level	1	AISI 304L
13	SCREW	1	AISI 304L
14	Handle	1	DUROPLAST (PF)

