

100104 STANDARD SEALS – F NPT



TWP-way ball valve

Drive: Inox lever

Connection: NPT female/female thread

Flow: Full

Material: Aisi 316L (1.4404)

Measure: from 1/4" to 4"

Seals: Modified Virgin P.T.F.E.

Operating temperature: -20°C +170°C

Outer finish: Polished

On request:

Antistatic device ATEX II 2 G-D T4 zone 1-21

M.O.C.A. CE 1935/2004

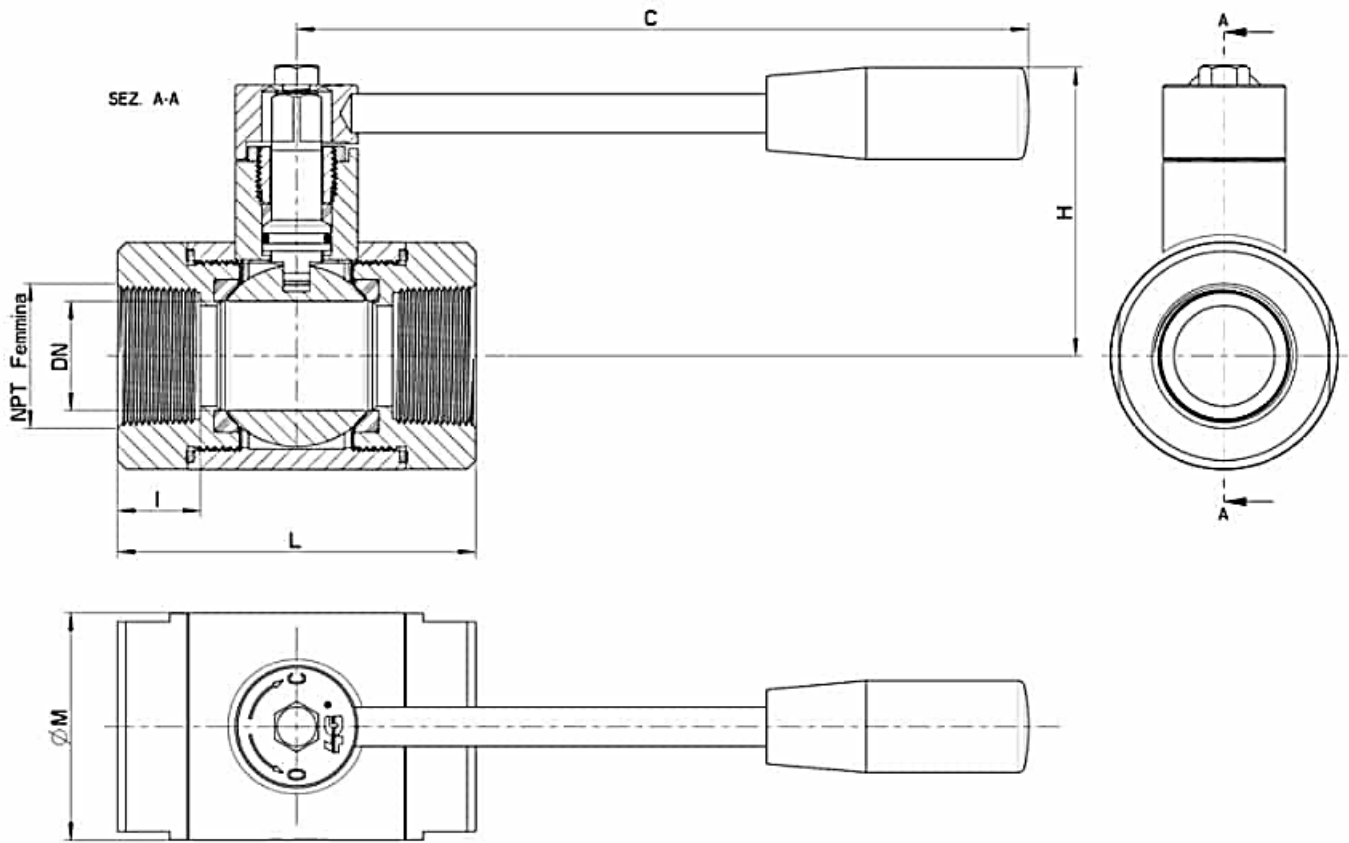
• Seals made of:

PTFE with glass -20°C+170°C

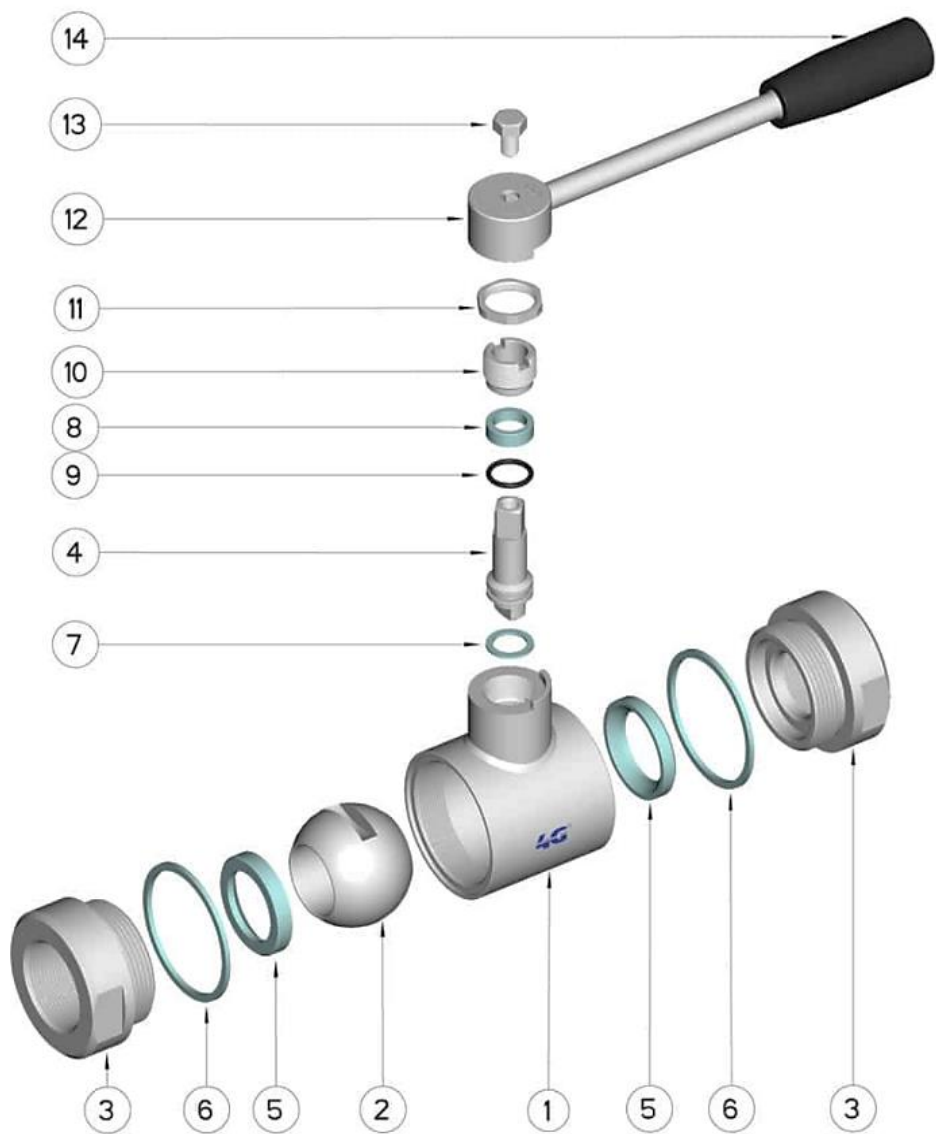
PTFE with carbographite -20°C+180°C

PTFE with inox -20°C+200°C

UHMW High-molecular weight polyethylene -20°C+80°C



G (NPT)	DN	L	I	C	H	ØM	PN	Kg
1/4"	9	52	13	110	50	30	100	0,34
3/8"	10	52	13	110	50	30	100	0,32
1/2"	15	62	16	110	55	35	100	0,44
3/4"	20	72	18	110	60	42	100	0,62
1"	25	82	19	160	65	52	64	1,10
1"1/4	32	92	20	160	70	60	64	1,35
1"1/2	40	104	20	190	80	73	64	2,33
2"	50	116	20	190	90	88	40	3,42
2"1/2	65	136	26	220	110	113	40	-
3"	80	160	28	285	130	135	40	-
4"	100	192	30	310	150	167	25	-



POS.	MATERIAL
1	AISI 316L
2	AISI 316L
3	AISI 316L
4	AISI 316L
5	PTFE Vergine Modificato
6	PTFE
7	PTFE
8	PTFE
9	FKM
10	AISI 304L (303)
11	AISI 304L
12	AISI 304L
13	AISI 304L
14	DUROPLAST (PF)

