

100101 STANDARD SEALS – ISO 228 F



TWO-way ball valve

Drive: Inox lever

Connection: ISO 228 female/female thread

Flow: Full

Material: Aisi 304L (1.4307) – Aisi 316L (1.4404)

Measure: from 1/4" to 4"

Seals: Modified Virgin P.T.F.E.

Operating temperature: -20°C+170°C

Outer finish: Polished

On request:

Antistatic device ATEX II 2 G-D T4 zone 1-21

M.O.C.A. CE 1935/2004

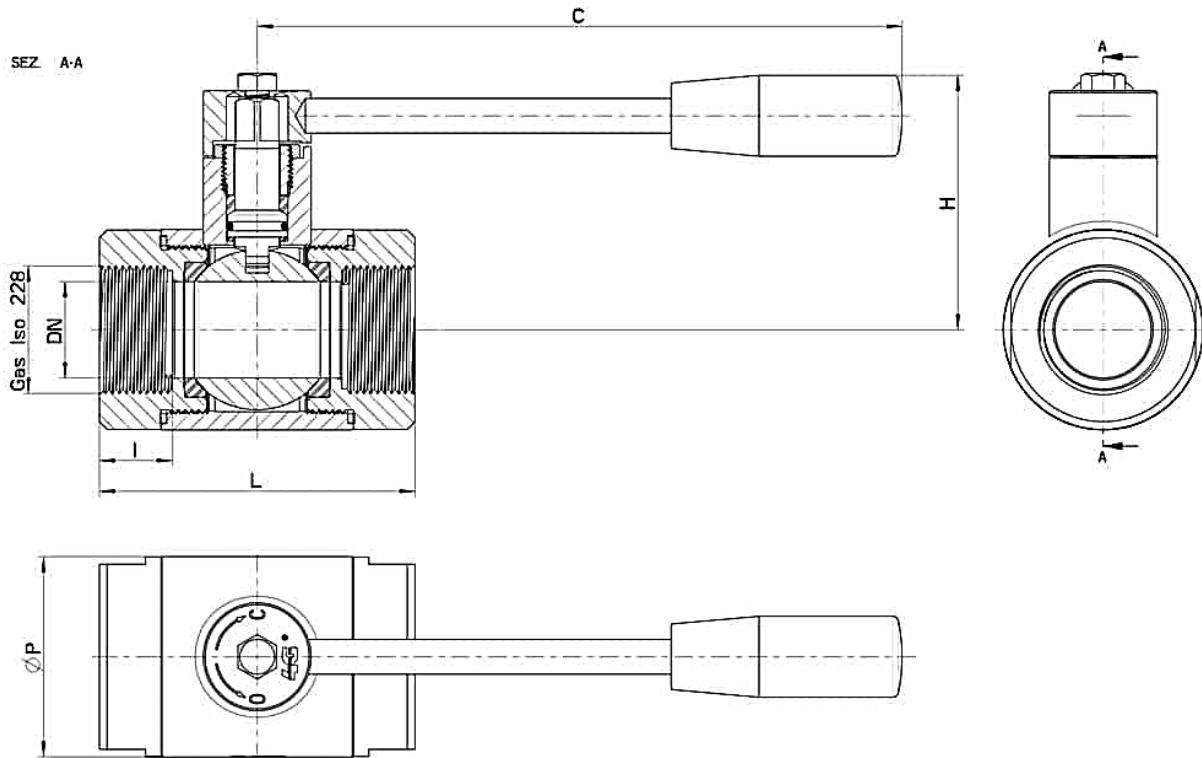
• Seals made of:

PTFE with glass -20°C+170°C

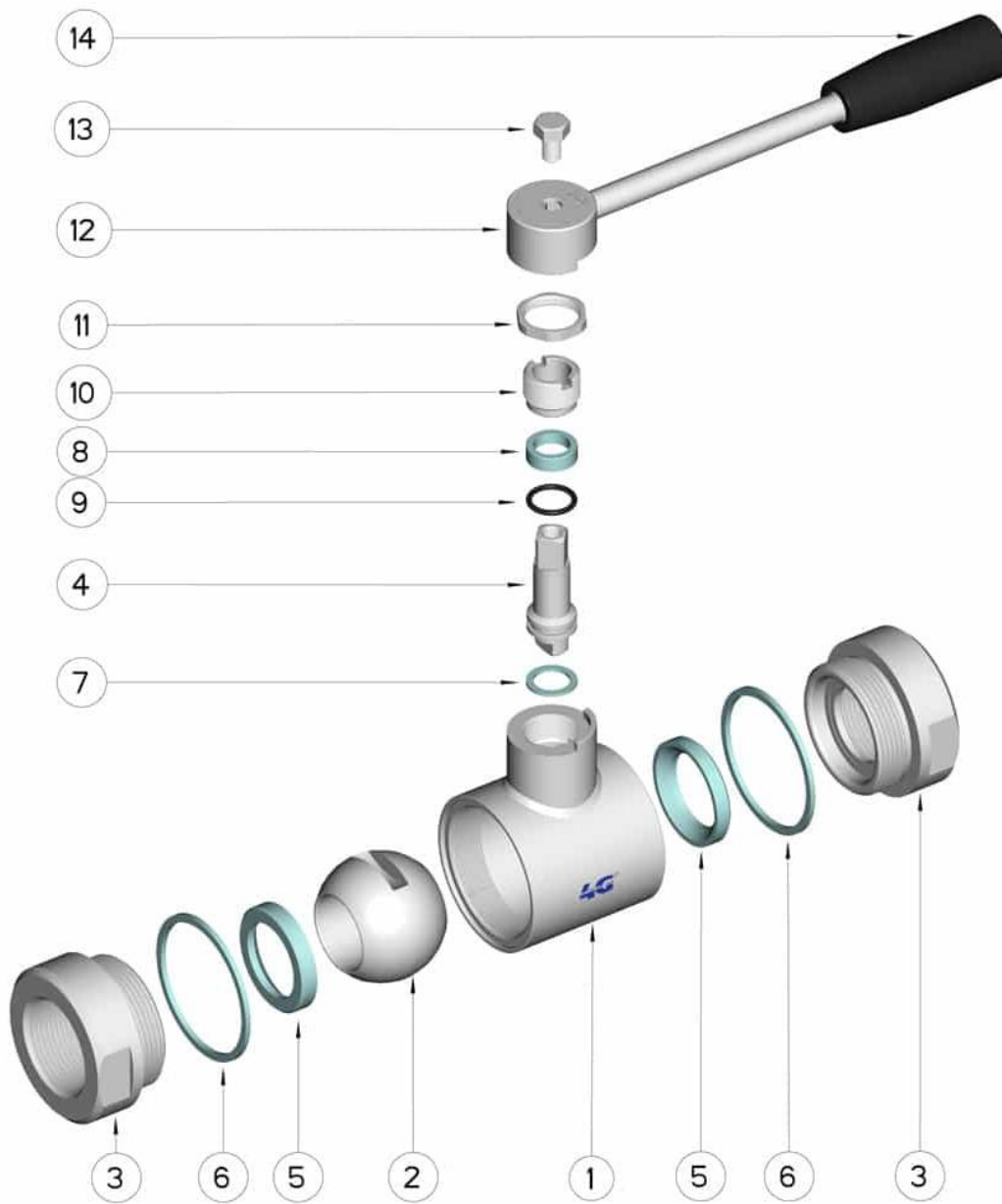
PTFE with carbographite -20°C+180°C

PTFE with inox -20°C+200°C

UHMW High-molecular weight polyethylene -20°C+80°C



| G (ISO 228) | DN | L | I | C | H | ØP | PN | Kg |
|-------------|----|-----|----|-----|-----|-----|-----|------|
| 1/4" | 9 | 52 | 13 | 110 | 50 | 30 | 100 | 0,34 |
| 3/8" | 10 | 52 | 13 | 110 | 50 | 30 | 100 | 0,32 |
| 1/2" | 15 | 62 | 15 | 110 | 55 | 35 | 100 | 0,44 |
| 3/4" | 20 | 72 | 17 | 110 | 60 | 42 | 100 | 0,62 |
| 1" | 25 | 82 | 19 | 160 | 65 | 52 | 64 | 1,10 |
| 1"1/4 | 32 | 92 | 19 | 160 | 70 | 60 | 64 | 1,35 |
| 1"1/2 | 40 | 104 | 20 | 190 | 80 | 73 | 64 | 2,33 |
| 2" | 50 | 116 | 20 | 190 | 90 | 88 | 40 | 3,42 |
| 2"1/2 | 65 | 128 | 20 | 220 | 110 | 113 | 40 | 5,75 |
| 3" | 80 | 150 | 24 | 285 | 130 | 135 | 40 | 8,98 |



| Vị trí | Mô tả | Số lượng chi tiết | Vật liệu |
|--------|---------------|-------------------|-------------------------|
| 1 | Body | 1 | AISI (304L) 316L |
| 2 | Ball | 1 | AISI (304L) 316L |
| 3 | Sleeves | 2 | AISI (304L) 316L |
| 4 | Stem | 1 | AISI (304L) 316L |
| 5 | Ball seals | 2 | PTFE Vergine Modificato |
| 6 | Sleeve seals | 2 | PTFE |
| 7 | Stem seal | 1 | PTFE |
| 8 | Stem seal | 1 | PTFE |
| 9 | Stem or-seal | 1 | FKM |
| 10 | Register ring | 1 | AISI 304L (303) |
| 11 | Locknut | 1 | AISI 304L |
| 12 | Level | 1 | AISI 304L |

